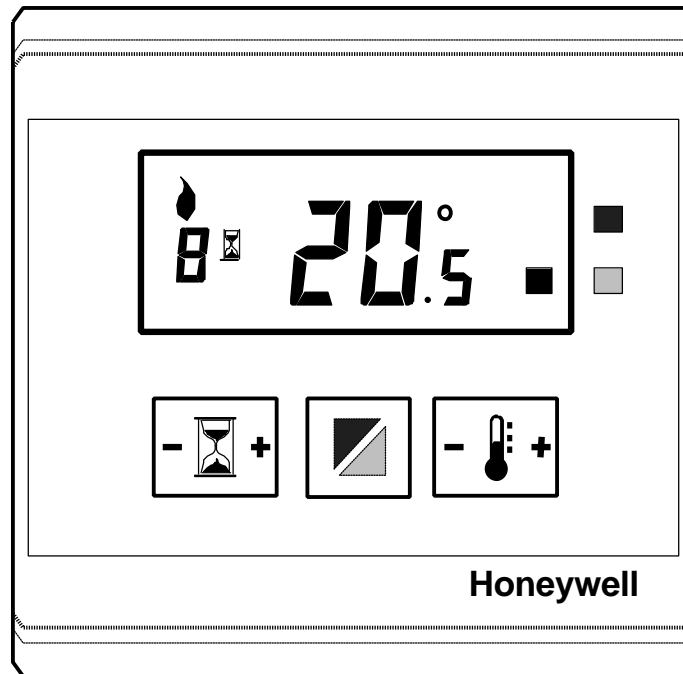


European Chronotherm Launch

CT200 TRAINING PACKAGE



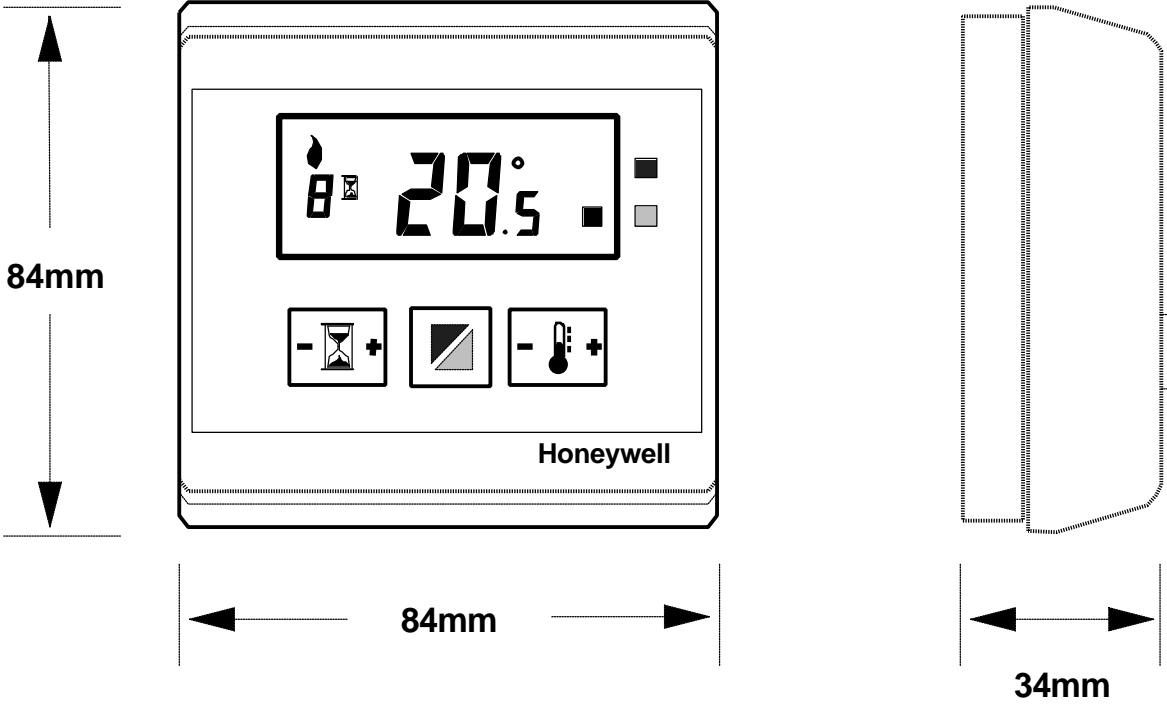
European Chronotherm Launch

CT200 SPECIFICATION

Product:	Setback thermostat
Power supply:	Two Alkaline AA size (LR6) batteries
Battery life	2 Years
Switch type:	SPDT latching relay
Switch rating:	24..240V a.c., 50/60 Hz. 8 Amps resistive, 3 Amps inductive at 0.6 p.f.
Operating limits:	0 Deg.C to 40 Deg.C 0% to 90% Relative humidity (non condensing)
Maximum cycle rate:	6 cycles per hour max.
Temperature setting range:	5 Deg.C to 30 Deg.C in 0.5 Deg.C steps
Control accuracy:	+/-0.5K (nominal at 20 Deg.C, 50% load, 3 Deg.C ramp rate)
Minimum ON/OFF period:	1 Minute
No. temperature levels:	2 per day
Setback timer:	1 to 19 hours in 1 hour steps
Operating modes:	AUTO or MANUAL
Mounting options:	Wall surface (surface wiring entry) or wallbox

European Chronotherm Launch

CT200 DIMENSIONS



European Chronotherm Launch

CT200 PRODUCT PHILOSOPHY

- Fill gap between Thermostats and Chronotherms**
- Featured digital thermostat**
- Simple to use**
- Family resemblance with T6360 and CM Chronotherm families**
- Battery powered for simple installation**

European Chronotherm Launch

CT200 USER FEATURES

- COMFORT:** **Accurate temperature control - P+I control form**
Two programmable temperature levels

- CONVENIENCE:** **Simple three button operation**
1 to 19 hour setback timer
Setback time period saved for daily use
Setback activated by a single button press
Setpoint resolution to 0.5 Deg.C
Large easy to read display
Manual operating mode

- PEACE OF MIND:** **Simple programming concept**
Constant frost protection
Long battery life with replacement warning flag
Energy saving
Honeywell quality and reliability

European Chronotherm Launch

CT200 INSTALLER FEATURES

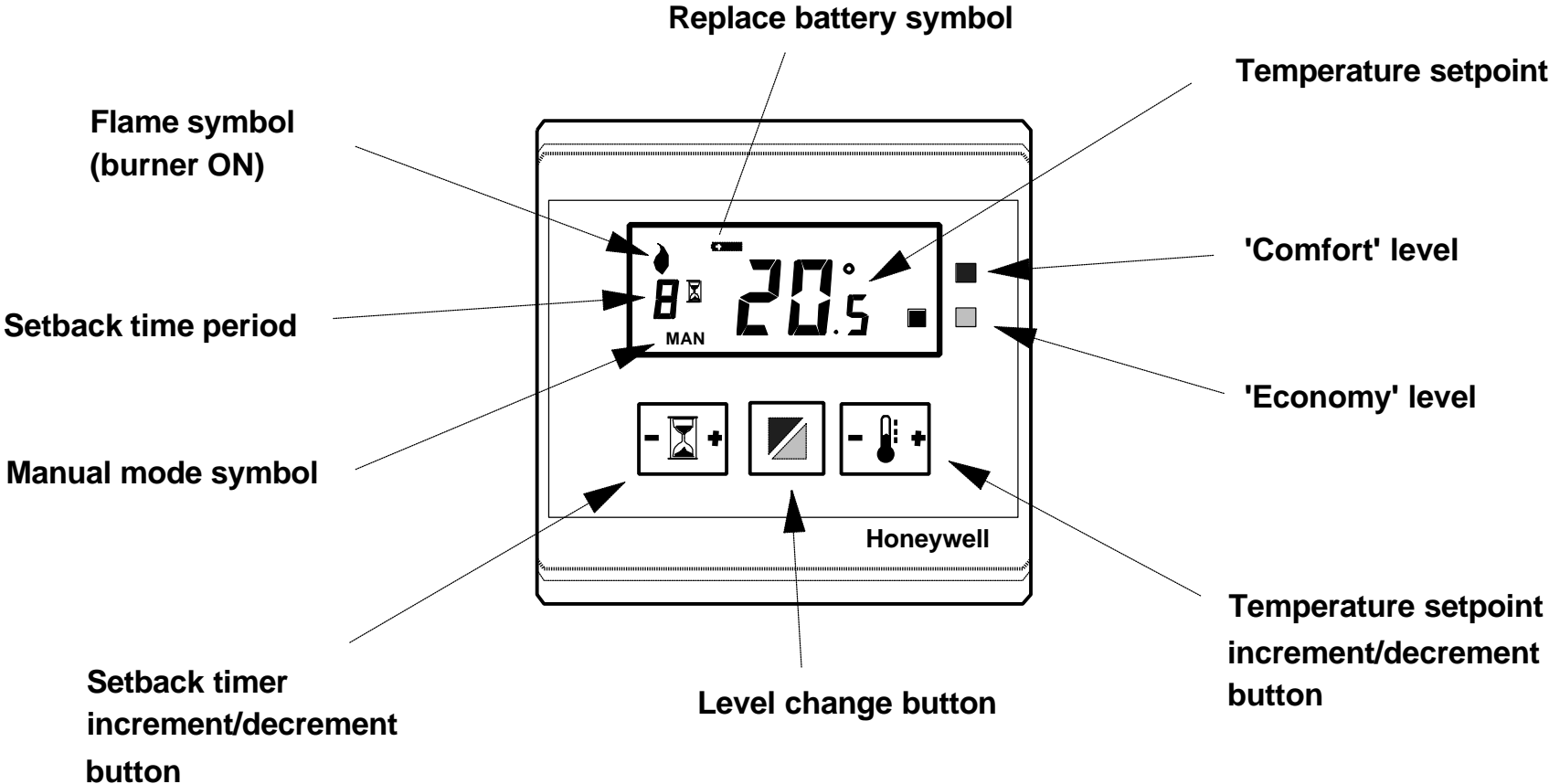
- VALUE:**
 - Honeywell Quality, Service and Support**
 - Full product range from one supplier**
 - Future upgrade potential to a more featured digital product**

- CONVENIENCE:**
 - Modern styling suits any decor**
 - Can be used on heating and cooling applications**
 - Complete package supplied**
 - Same size and mounting holes as T6360 Thermostat**
 - Simple two-wire installation**
 - Captive terminal cover for guaranteed safety protection**

- PEACE OF MIND:**
 - Easy to explain to customers (easy to learn tried and tested user interface)**
 - No callbacks**
 - Can be installed where the customer is not known**

European Chronotherm Launch

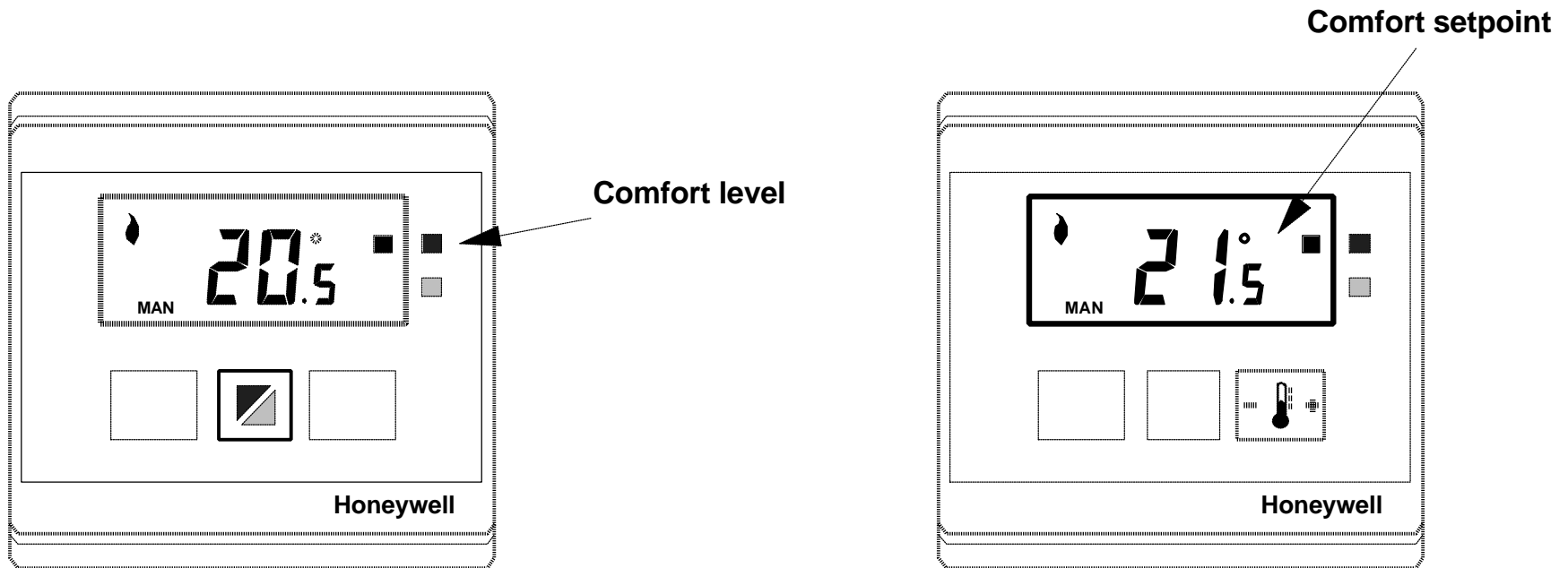
CT200 INTERFACE FEATURES




European Chronotherm Launch

PROGRAMMING CT200

SETTING THE COMFORT LEVEL



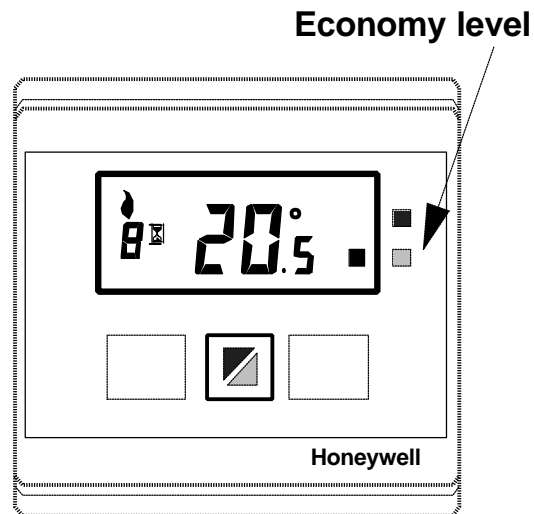
- Select Comfort level by pressing the  button

- Set the Comfort level setpoint by pressing the  button (press left side to decrement and right side to increment)

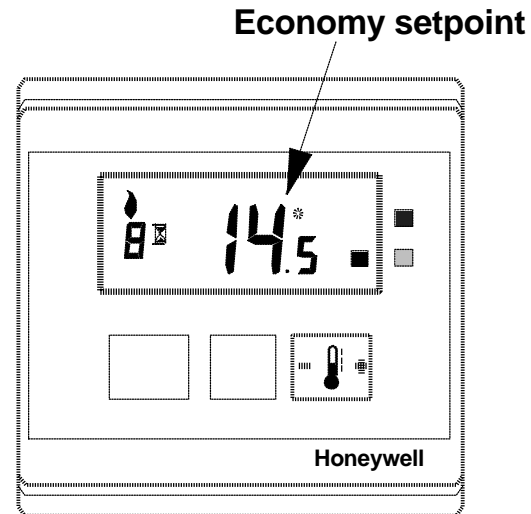
European Chronotherm Launch

PROGRAMMING CT200

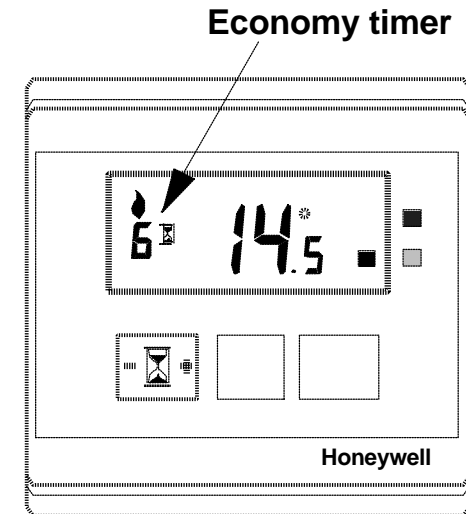
SETTING A TIMED PERIOD OF ECONOMY



- Select Economy level by pressing the level change button



- Set the Economy level setpoint by pressing the temperature change button (+/- Rocker button)

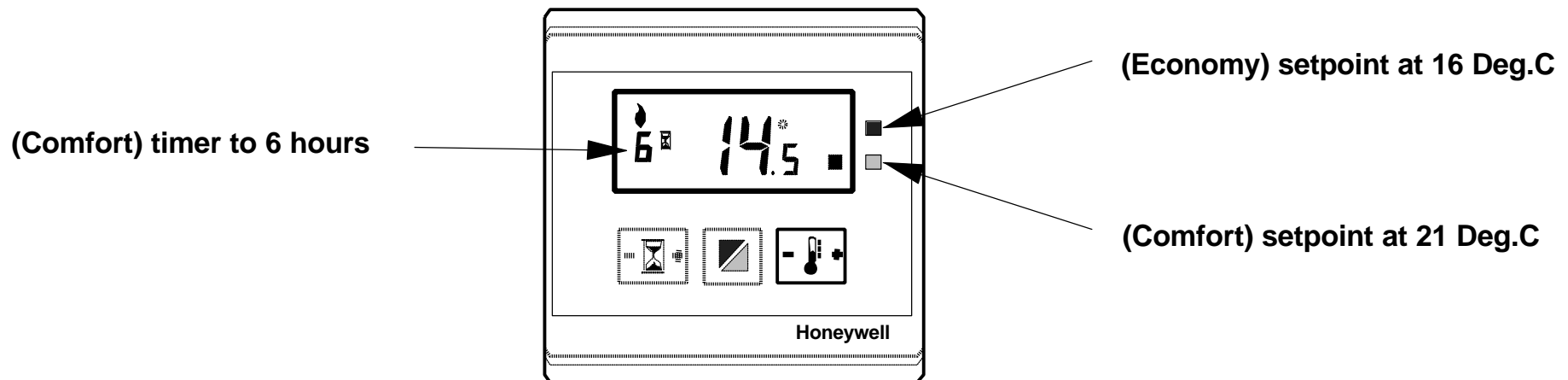


- Set Economy timer to the desired period by pressing the timer change button (+/- Rocker button)

European Chronotherm Launch

PROGRAMMING CT200

SETTING A TIMED PERIOD OF COMFORT



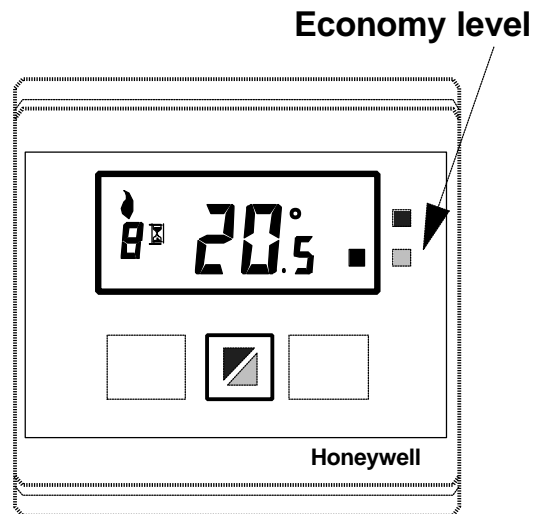
- Set "Comfort" level to Economy setpoint (i.e. 16 Deg.C)
- Set "Economy" level to Comfort setpoint (i.e. 21 Deg.C)
- Set Comfort timer to desired time period

Particularly useful for cooling applications

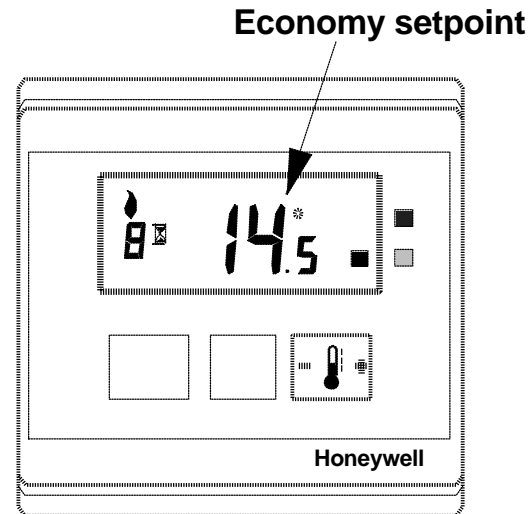
European Chronotherm Launch

PROGRAMMING CT200

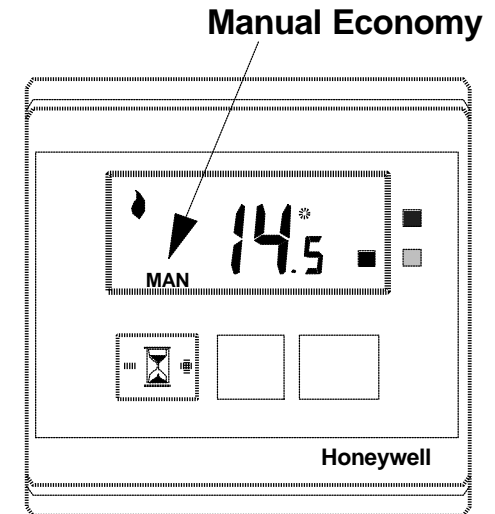
SETTING MANUAL ECONOMY OPERATION



- Select Economy level by pressing the level change button



- Set the Economy level setpoint by pressing the temperature change button (+/- Rocker button)



- Set Economy timer to Zero by pressing the left side of the timer change button
MAN will show in the display

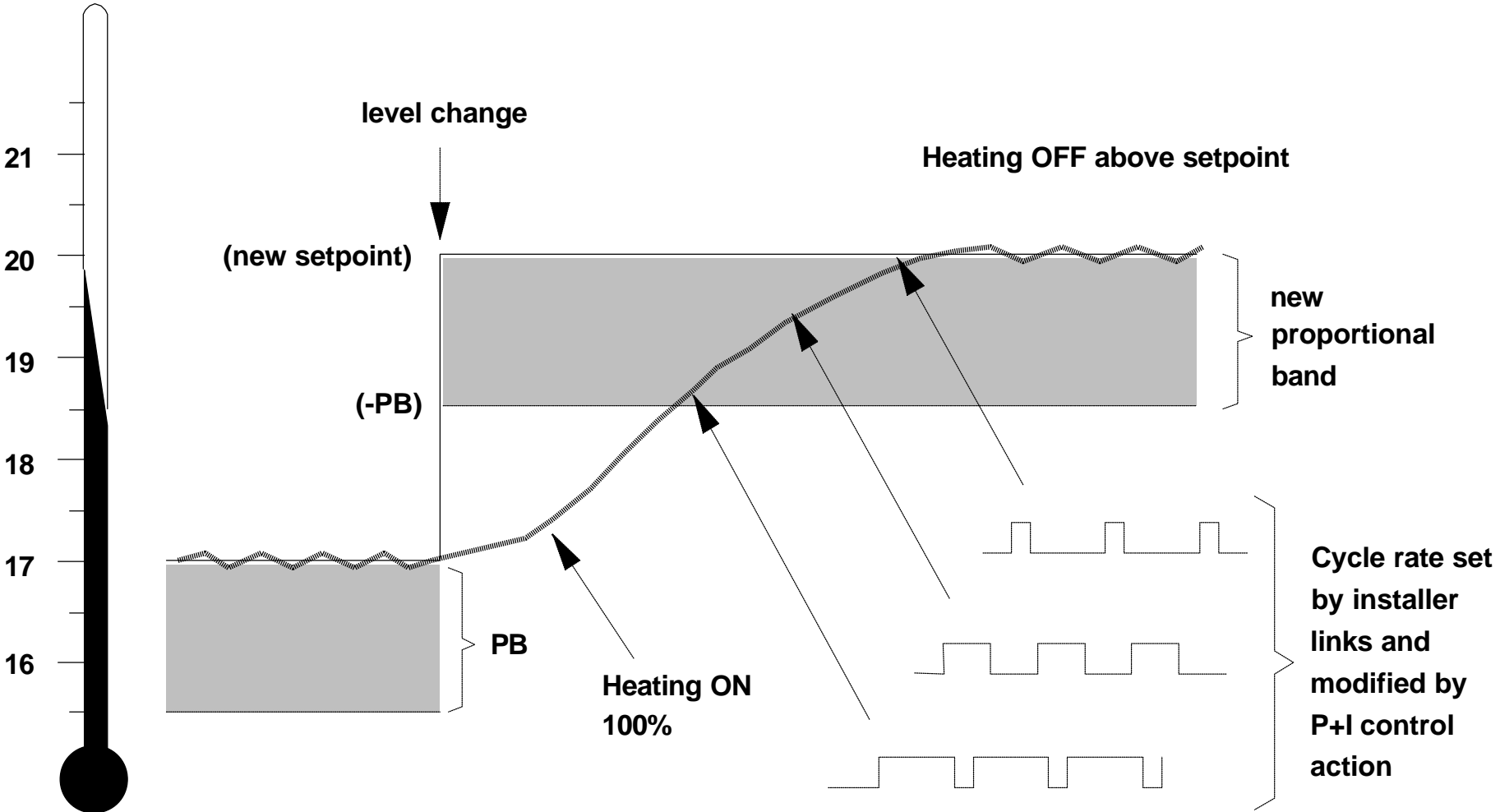
European Chronotherm Launch

CT200 CONTROL PARAMETERS

- Maximum cycle rate of 6 cycles per hour
- Minimum ON/OFF time period of 1 minute
- P+I control form
- Temperature control accuracy +/-0.5 Deg.C (nominal at 20 Deg.C, 50% load)
- Heating or cooling control by system wiring connection to terminal C

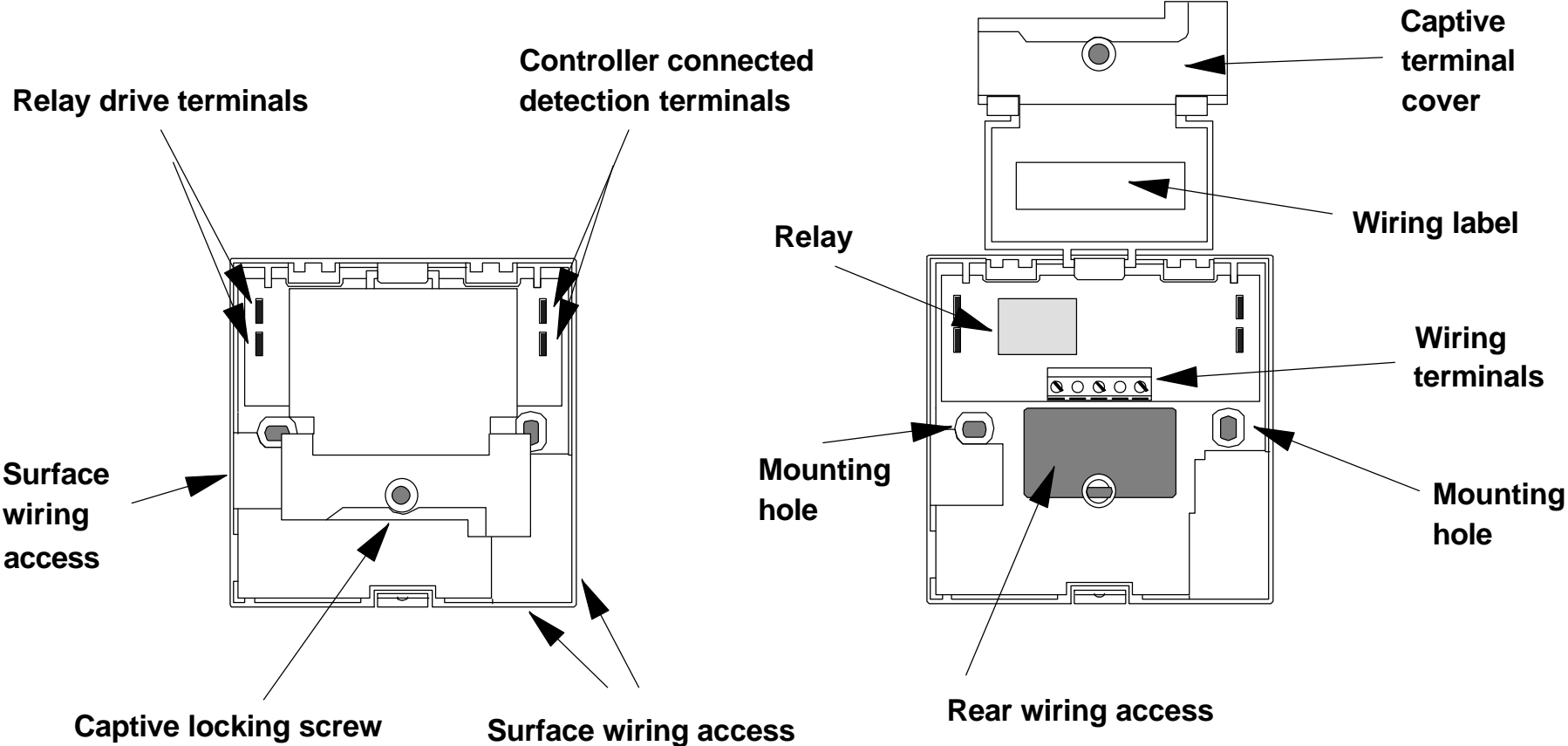
European Chronotherm Launch

CT200 HEATING CONTROL ACTION



European Chronotherm Launch

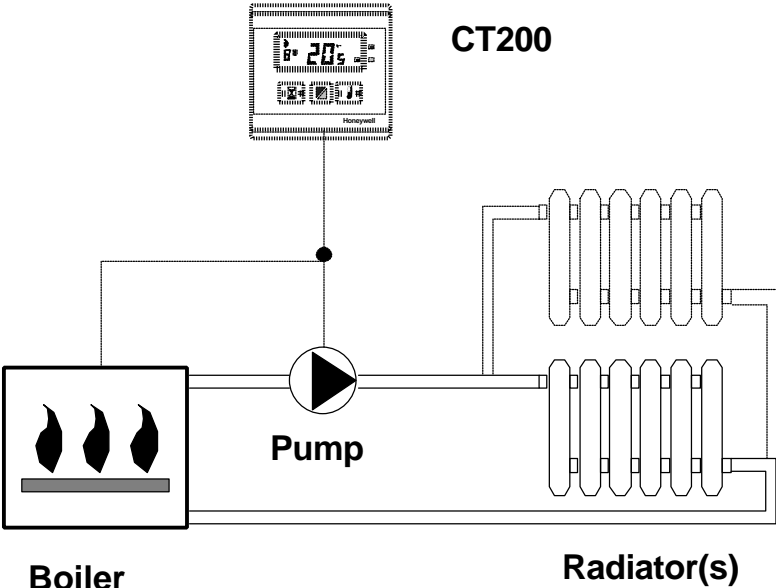
CT200 WALLPLATE INSTALLATION FEATURES



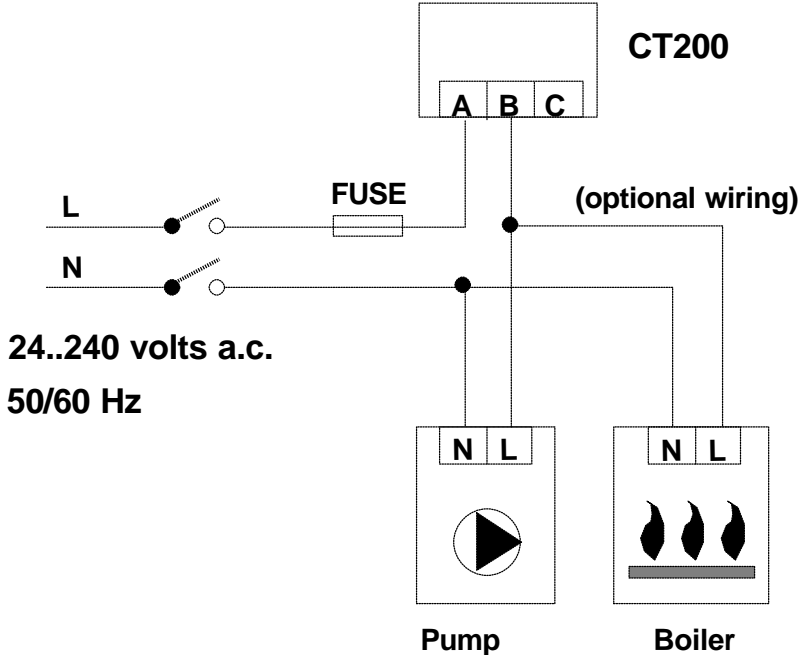
European Chronotherm Launch

CT200 APPLICATIONS HYDRONIC HEATING CONTROL

SYSTEM



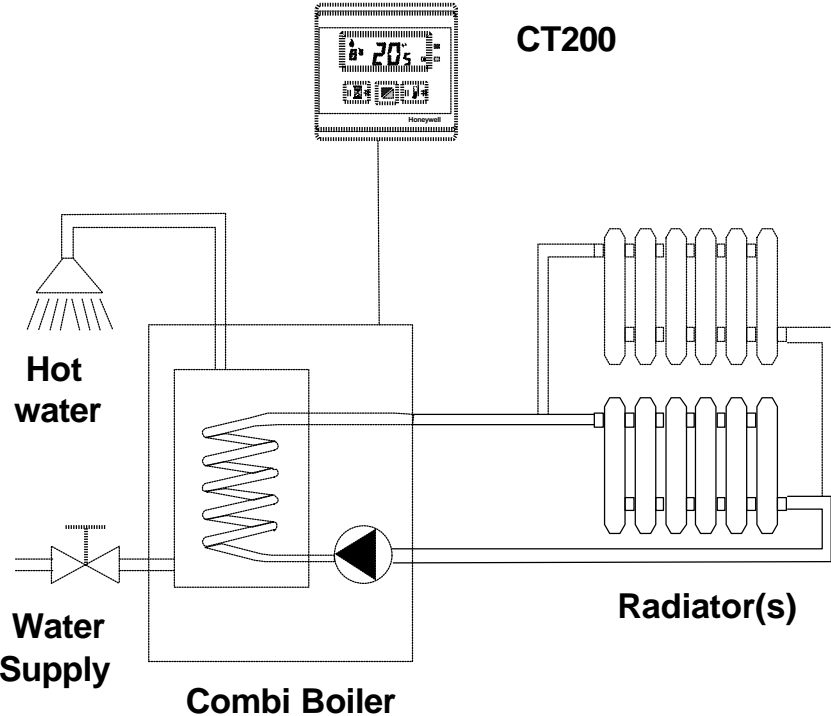
WIRING



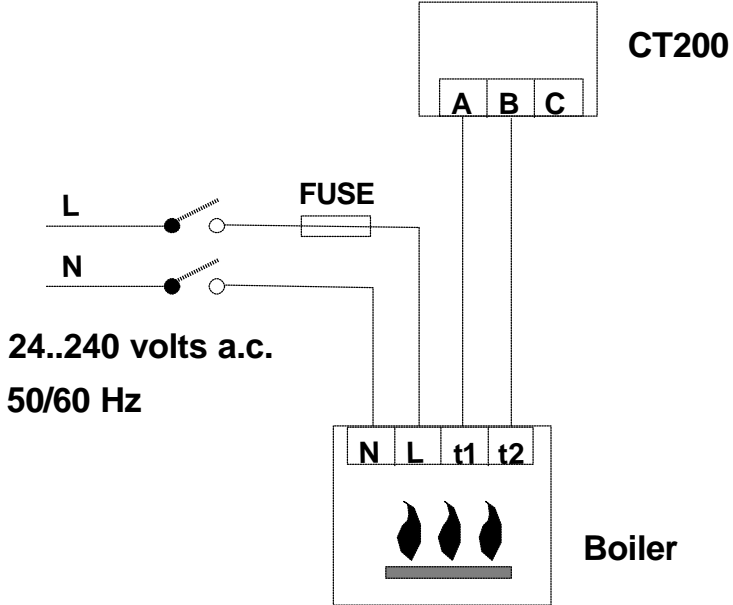
European Chronotherm Launch

CT200 APPLICATIONS COMBINATION BOILER CONTROL

SYSTEM

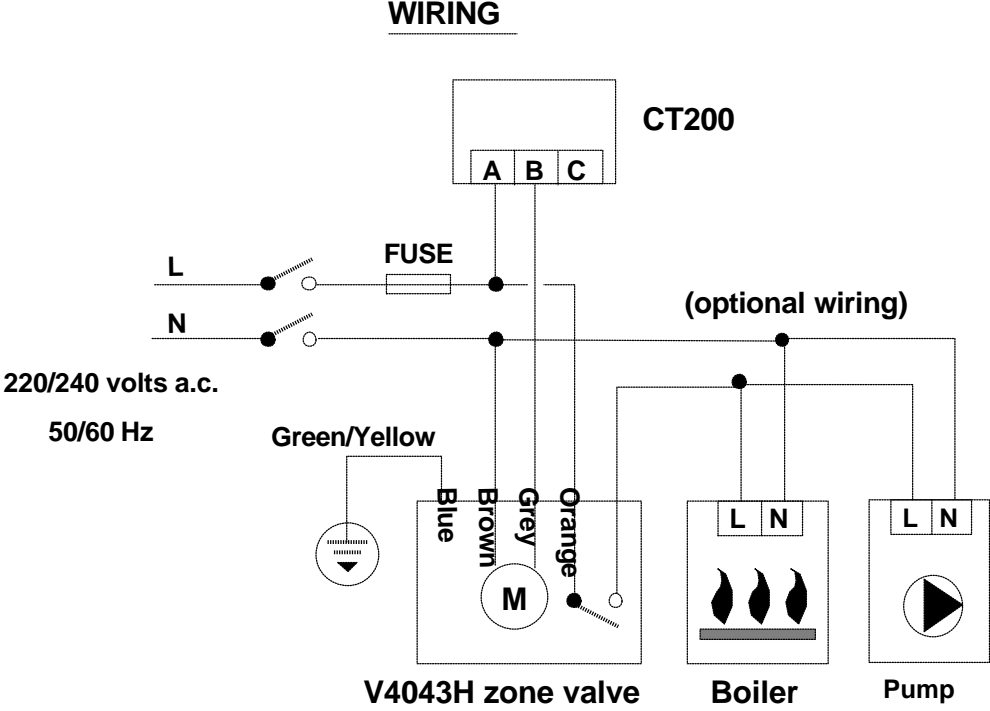
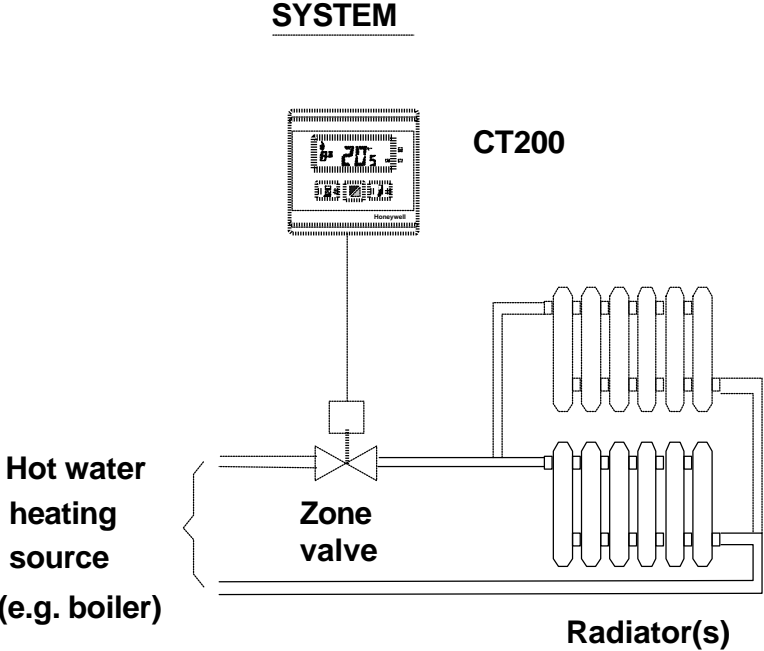


WIRING



European Chronotherm Launch

CT200 APPLICATIONS ZONE VALVE CONTROL

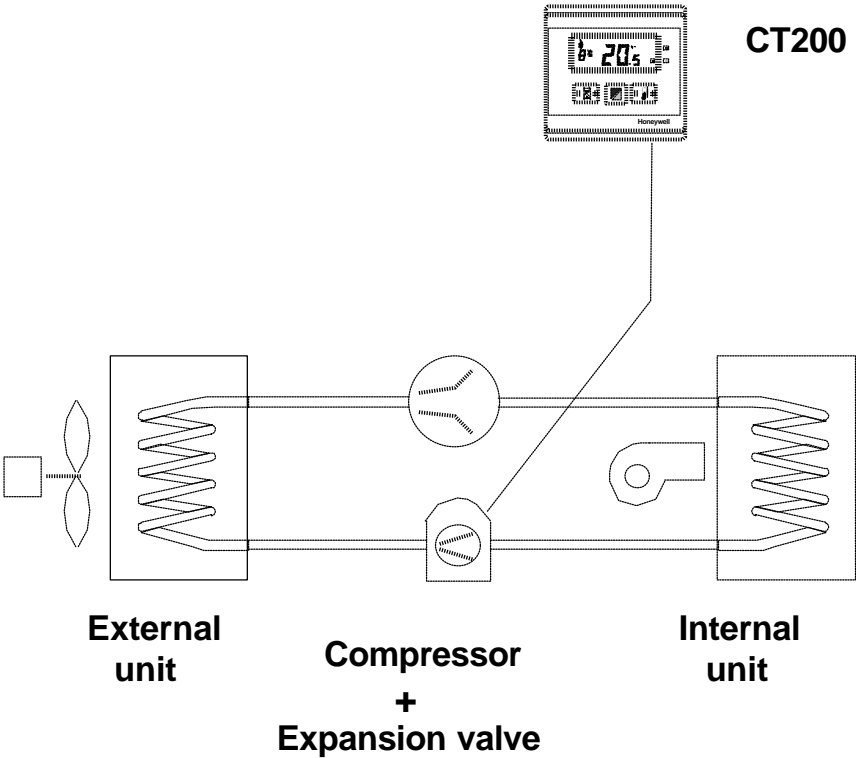


European Chronotherm Launch

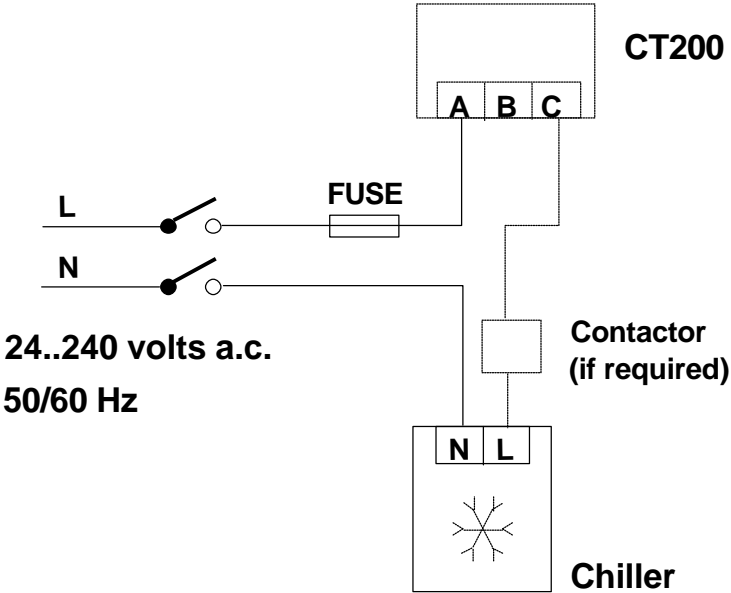
CT200 APPLICATIONS

COOLING CONTROL

SYSTEM



WIRING

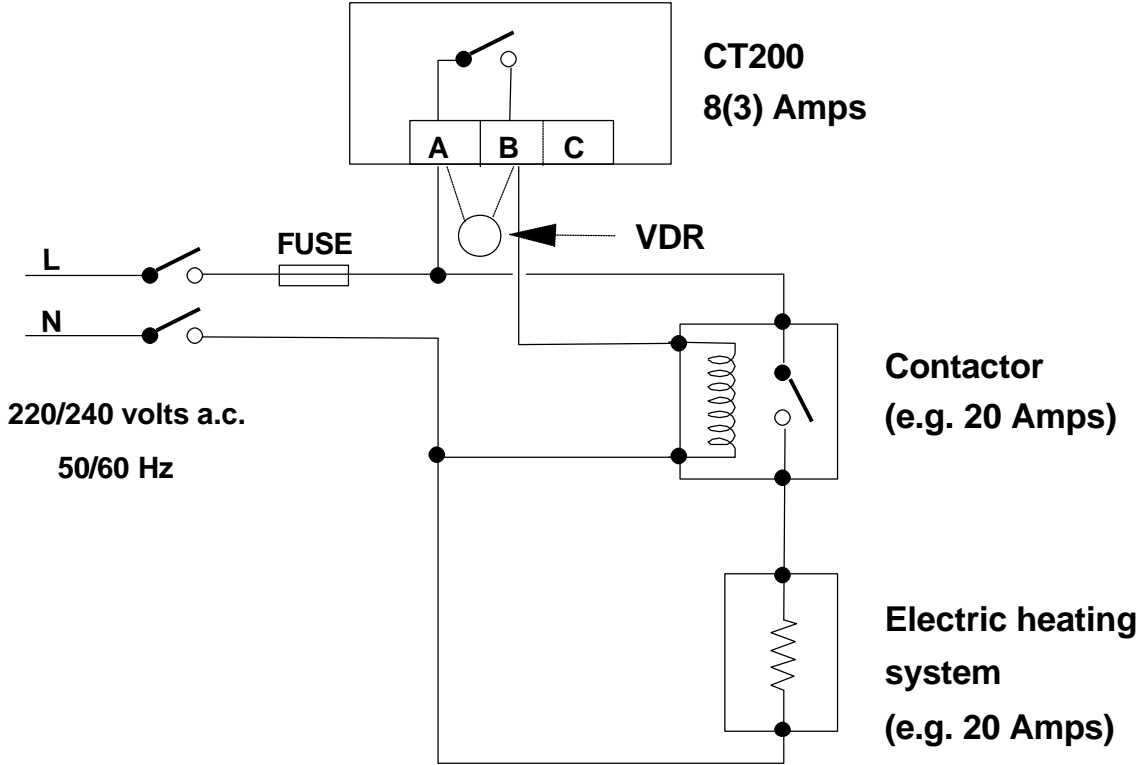


NOTES:

1. Install contactor if appliance more than 8 Amps
2. Fan on 100% or switched on via compressor

European Chronotherm Launch

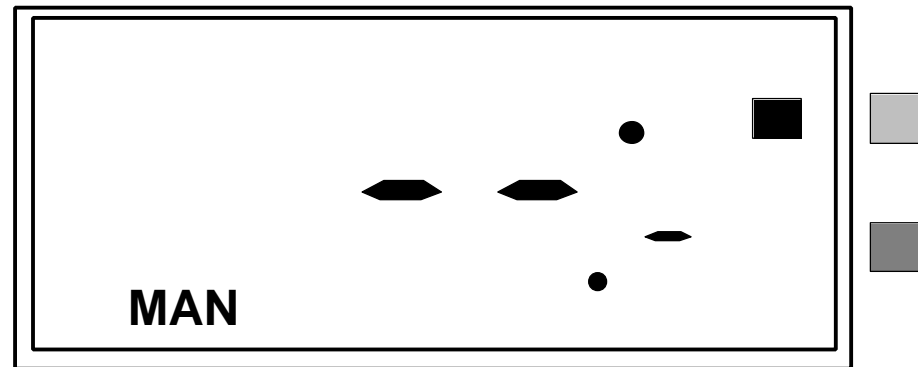
CT200 APPLICATIONS CONNECTION VIA A CONTACTOR



- REQUIREMENTS
- Mains coil contactor rated to application (i.e., 20 amps)
 - VDR suppression across CT200 terminals (optional)
 - System fuse rated at load (i.e., 20 amps)

European Chronotherm Launch

FAULTY SENSOR INDICATION



IF A FAULTY SENSOR READING IS TAKEN (OUTSIDE NORMAL CONTROL RANGE OF 0.C to 40.C) THE THERMOSTAT WILL DISPLAY DASHES ON THE LCD
THE UNIT WILL REQUIRE TO BE REPLACED WITH A NEW CONTROL UNIT