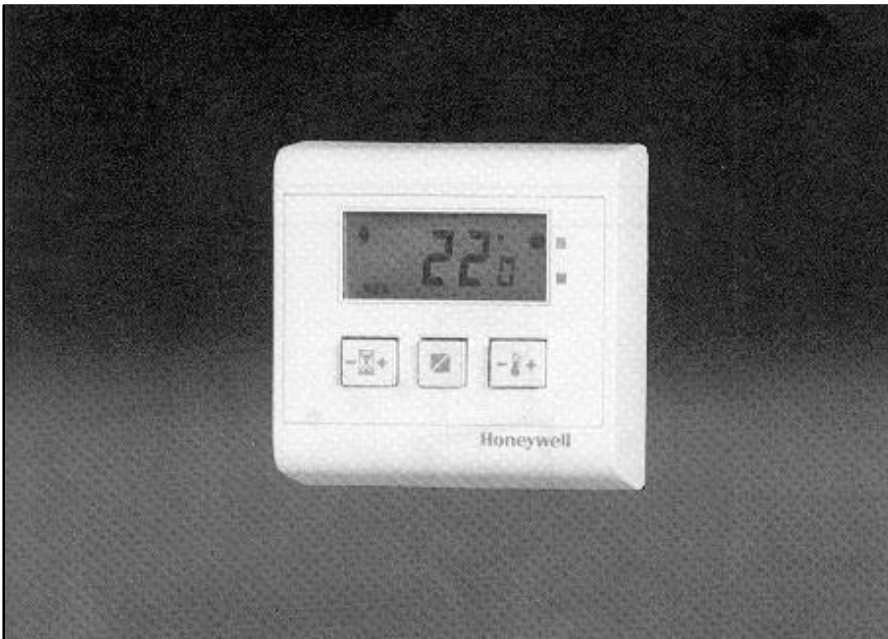


## CT200 SETBACK THERMOSTAT

### PRODUCT SPECIFICATION SHEET



CT200 provides automatic time and temperature control of heating or cooling systems.

CT200 incorporates two temperature levels (Comfort and Economy) and a simple setback timer to provide 1 to 19 hours of Economy level control.

CT200 is designed for European CEN approval.

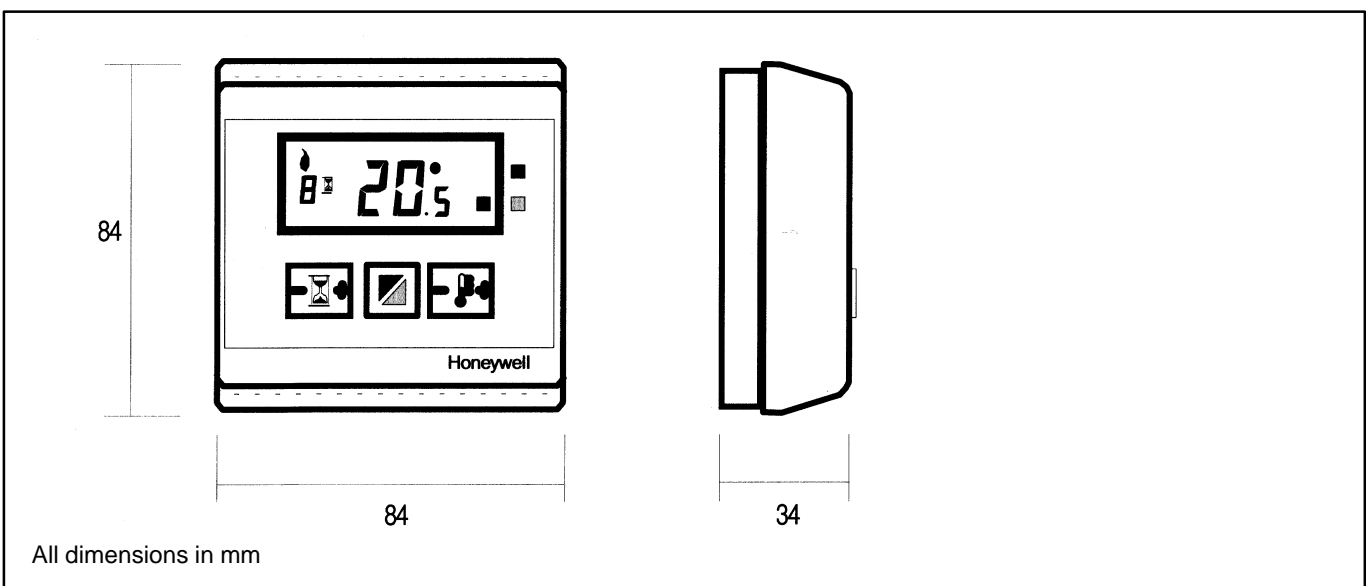
### FEATURES

- Attractive modern styling, making it ideal for location in any type of home
- Simple three button operation
- Two temperature levels - Comfort and Economy
- 5 to 30°C setpoint range with 0.5°C increments
- 5°C or 16°C minimum setpoint installer selected link
- 1 to 19 hour setback (Economy) timer
- Proportional plus Integral (P+I) digital control form for accurate temperature performance
- Manual mode
- LCD display of setpoint, temperature level, setback time period (or manual mode), burner ON symbols
- Constant frost protection
- Battery powered by 2 AA size (LR6) alkaline cells
- 2 year battery life with low battery warning
- 24...240 V SPST potential free contacts for simple 2-wire installation
- 8 A resistive, 3 A inductive switch rating
- Heating or cooling control
- Captive terminal cover
- Reset switch
- Surface or wallbox mounting options
- Surface wiring breakouts for wiring conduit access
- Pack contains everything for immediate installation

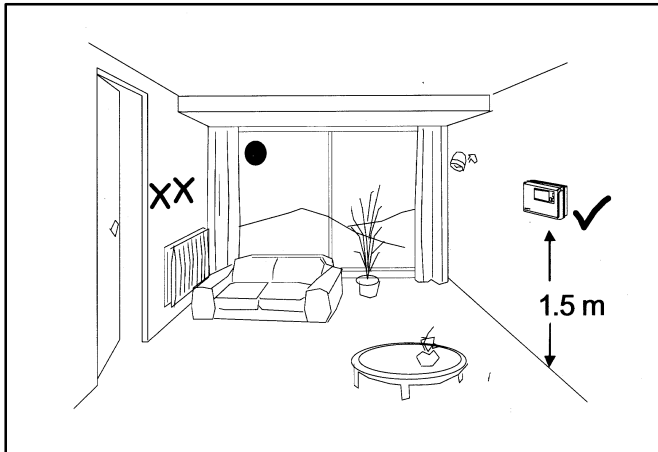
## SPECIFICATIONS

Batteries	: 2 x 1.5 V IEC LR6 (AA) Alkaline cells	Cycle rate	: 6 cycles per hour fixed
Battery life	: 2 years minimum (Duracell MN1500))	Minimum setpoint	: Selectable - 5 or 16°C
Switch type	: SPDT (potential free)	Wiring	: Terminal block capable of accepting wires up to 2.5 mm <sup>2</sup>
Electrical rating	: 24...240 V~, 50...60 Hz 8 A resistive 3 A inductive, 0.6 p.f.	Mounting	: Surface or single wallbox
Setback timer	: 1 to 19 hours	Wire access	: Rear, right or below
Setting resolution	: Temperature setpoints - 0.5°C Setback timer - 1 hour	Dimensions	: 84 x 84 x 34 mm (w x h x d)
Temperature setting range	: 5 to 30°C in 0.5 K steps	Environmental	: Operating temperature range 0 to 40°C Shipping and storage temperature range -20 to 55°C Humidity range 0 to 90% rh, non-condensing
Temperature control accuracy	: ±0.5 K (nominal) @ 20°C, 50% load, 3 K Δ/hour	Approvals	: Designed to meet European CEN approvals
Control form	: P + I (Proportional + Integral)		
Minimum ON/OFF period	: 1 minute minimum		

## DIMENSIONS



# INSTALLATION



## LOCATION

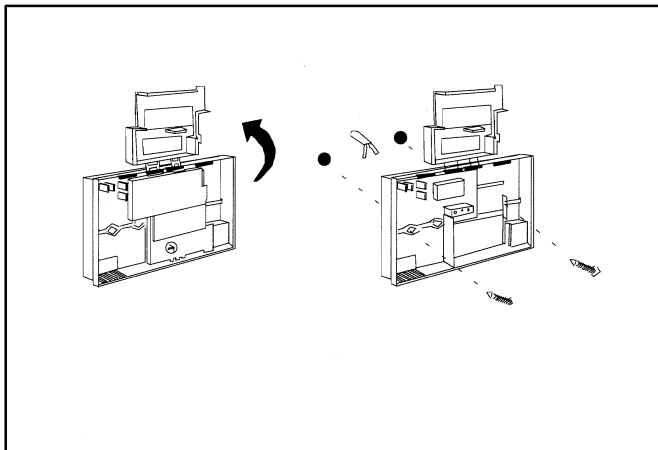
The CT200 Chronotherm is the temperature control element in the heating/cooling system and **MUST** be located in a position with good air circulation at average room temperature on an inside wall 1.5 meters above the floor level. Do not position the CT200 Chronotherm near sources of heat (radiators, hot air vents, TV or lights), near doors or windows, or in direct sunlight.

## MOUNTING

The CT200 Chronotherm can be mounted directly on the wall surface or on an electrical wallbox. Mounting screws are supplied for both alternatives.

## WIRING

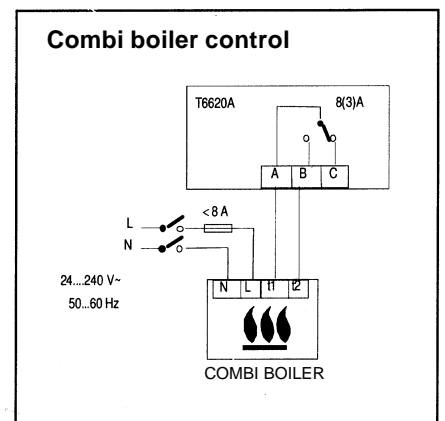
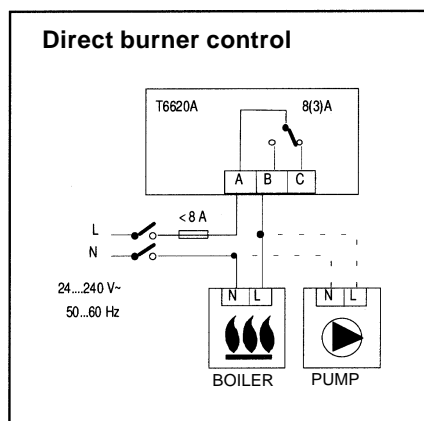
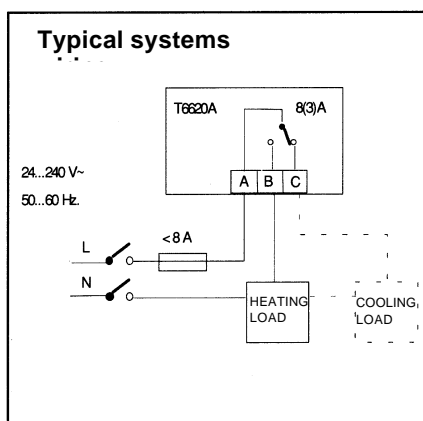
CT200 is designed for fixed wiring only and must be installed in accordance with latest I.E.E. regulations. Ensure the wiring connection to the supply is via a fuse rated at no more than 8 amps and a Class "A" switch (having contact separation of at least 3 mm in all poles).

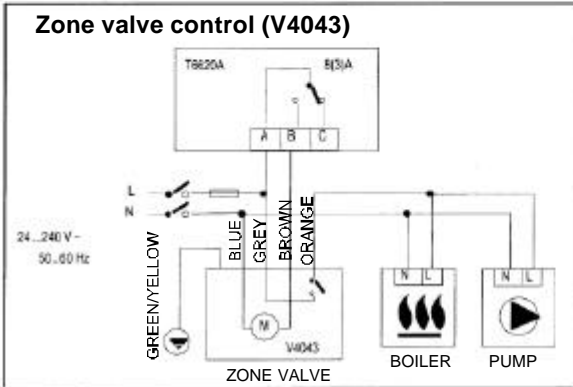
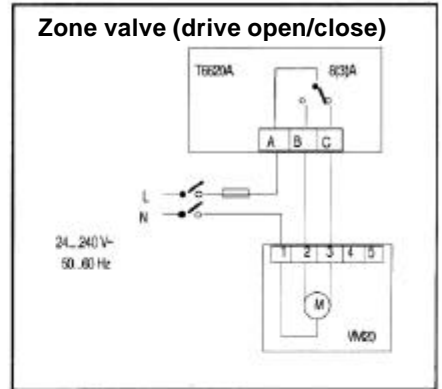
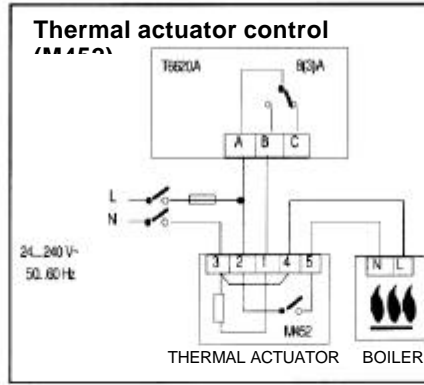
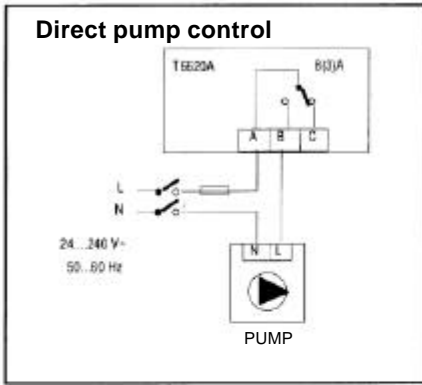


## IMPORTANT

1. The installer must be a trained service engineer
2. Disconnect the power supply before beginning installation

# WIRING

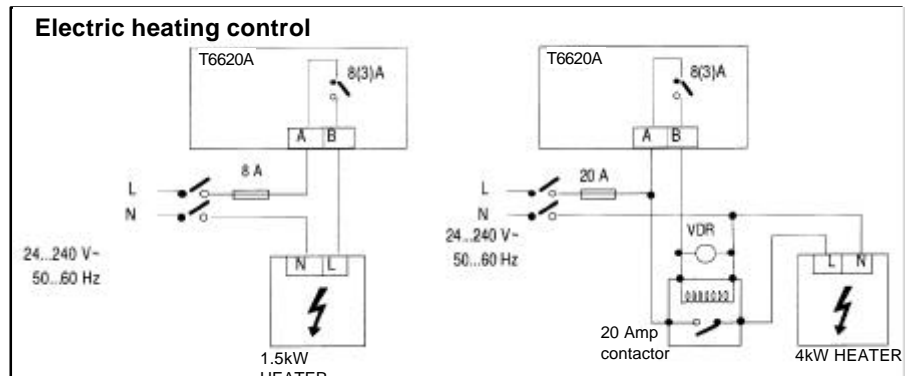




## Electric Heating Systems

Systems rated above 8 A resistive (1.75 kW) should be controlled via a contactor. Systems rated below 8 A can be switched directly by the CT200 relay.

It is recommended that a voltage dependent resistor rated at 275 V r.m.s., 23 joules, 775 V clamping voltage (e.g. Philips V275LA2) is installed across the contactor coil to suppress interference from voltage spikes.



**Honeywell**