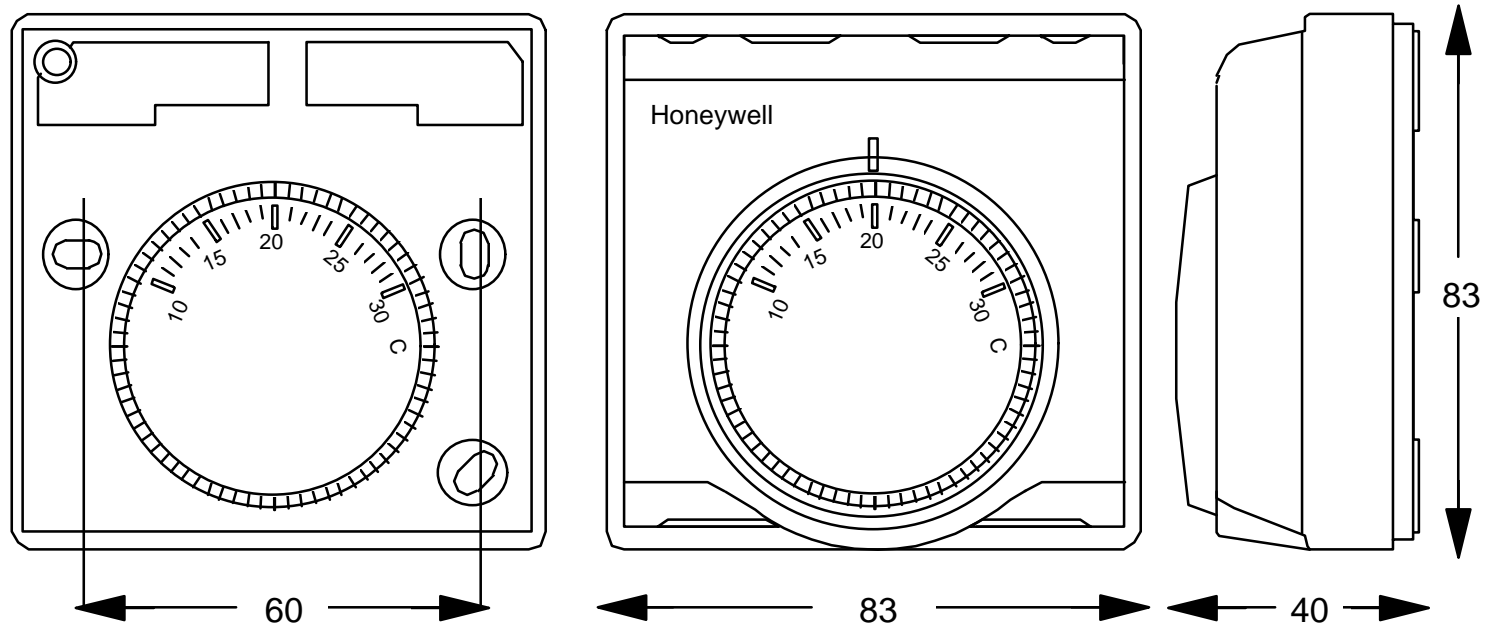


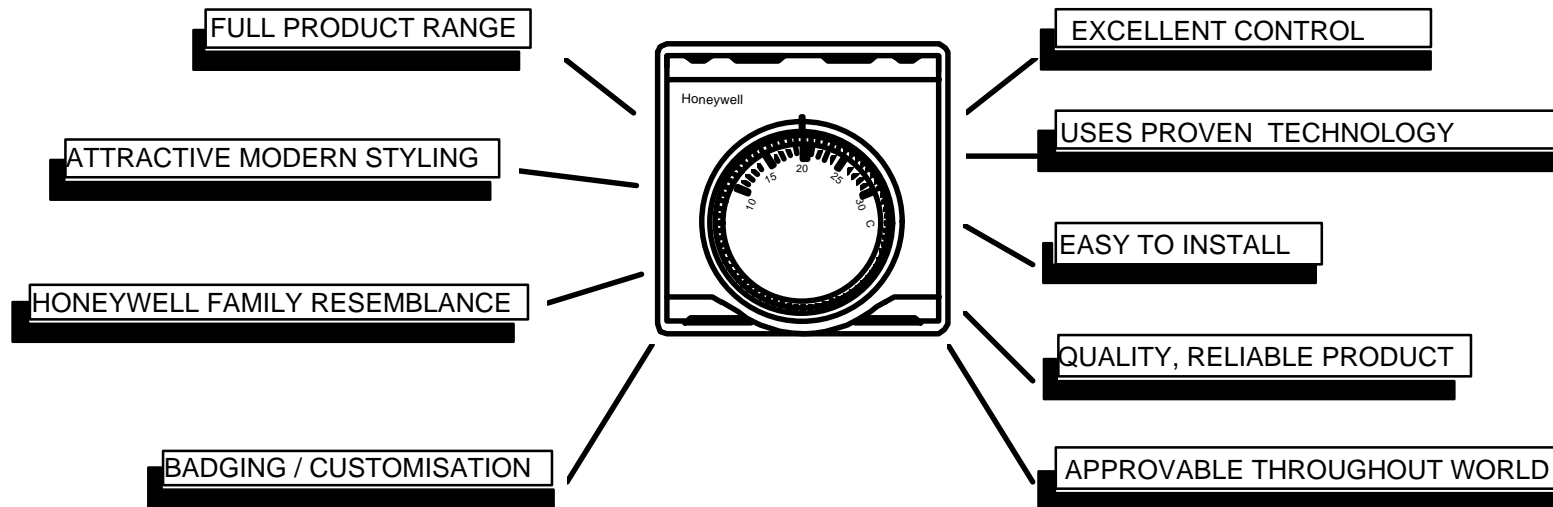
T6360 / T4360 THERMOSTAT

T6360 - DIMENSIONS

ALL DIMENSIONS IN MM

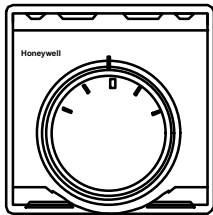


PHILOSOPHY OF T6360



PRODUCT RANGE

ONE BASIC
PRODUCT DESIGN



T6360A

BASIC CHANGEOVER
BASIC CHANGEOVER + LAMP



T6360B

CHANGEOVER + ANTICIPATOR
CHANGEOVER + ANTICIPATOR + LAMP



T6360C

CHANGEOVER + ON/OFF SWITCH
CHANGEOVER + ON/OFF SWITCH + LAMP



T4360A

FROST THERMOSTAT



T4360B

HIGH CURRENT (16A) SWITCHING



T4360C

ON/OFF SWITCH
ON/OFF SWITCH + LAMP



T4360D

SUMMER/WINTER SWITCH
SUMMER/WINTER SWITCH + LAMP



T4360E






ANTICIPATOR + NIGHT SETBACK



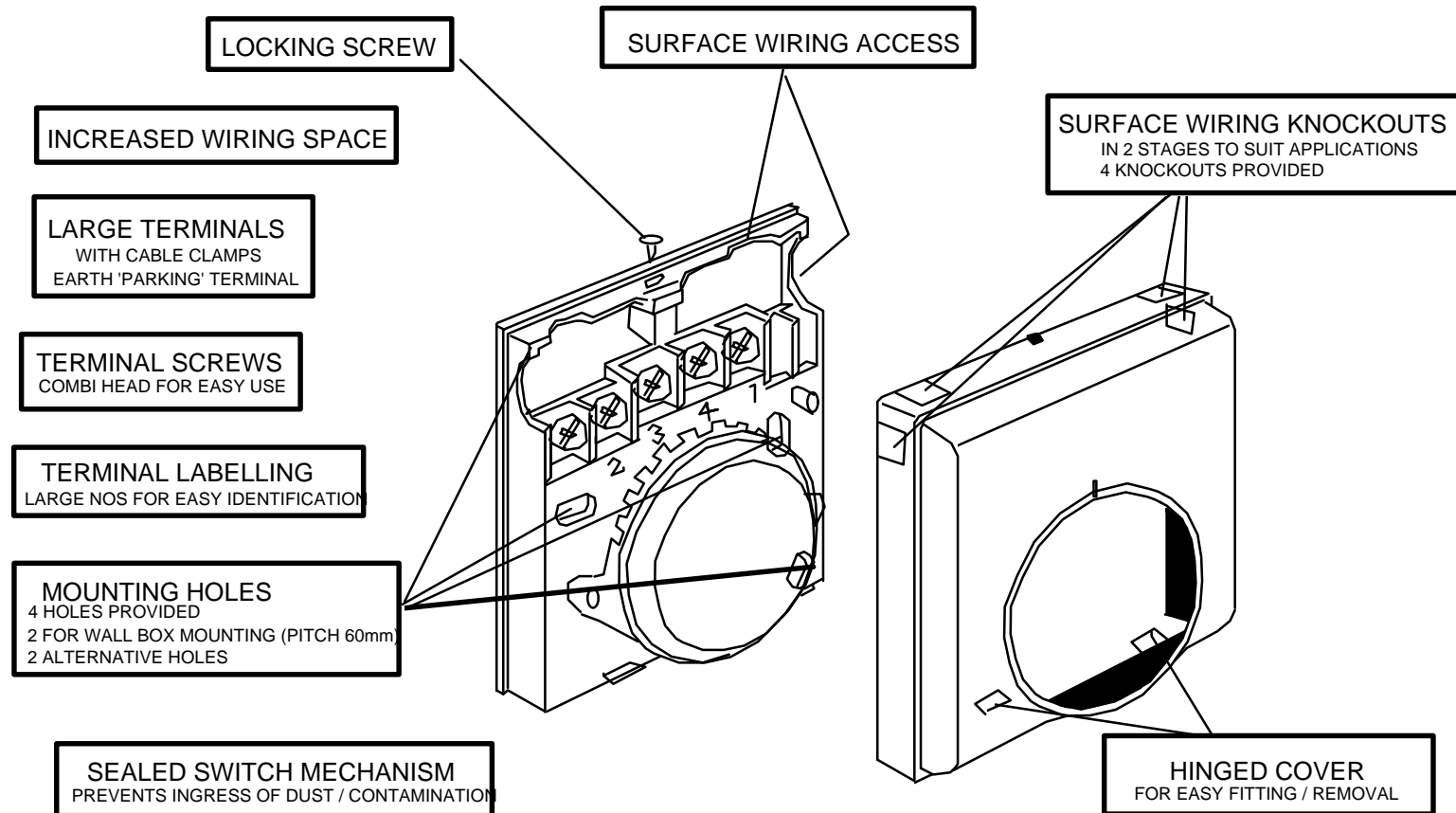
T4360F

THERMAL ACTUATOR CONTROL

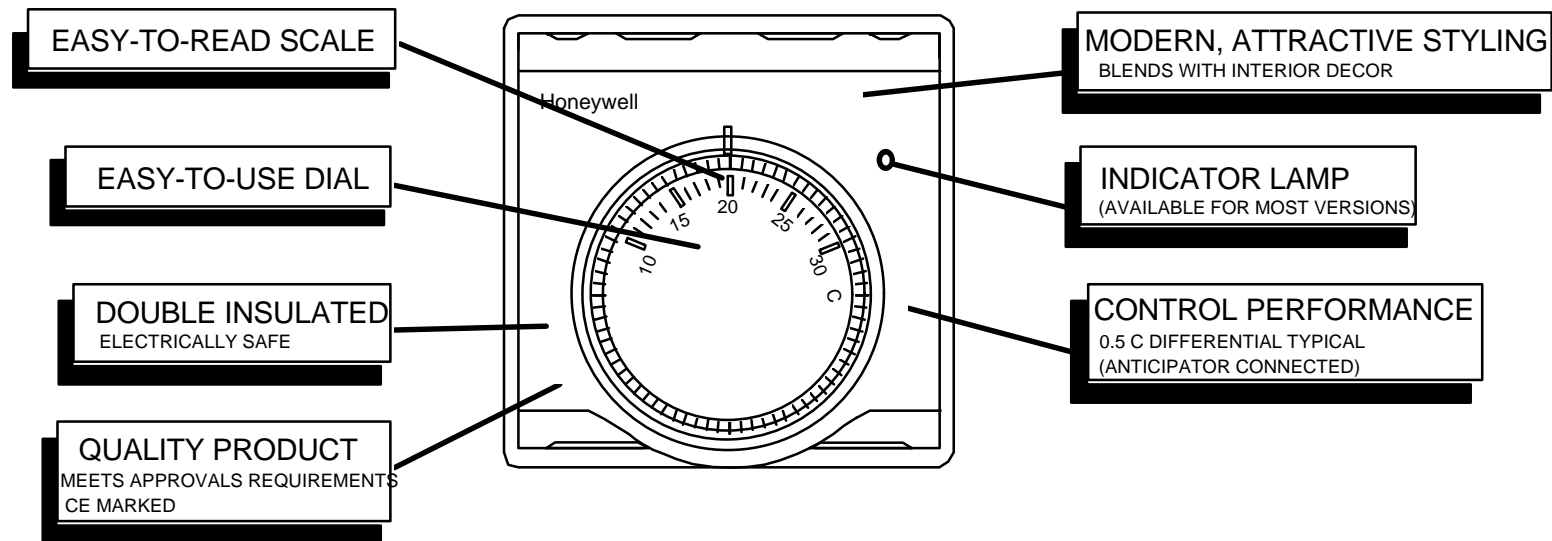
T6360 / T4360 APPLICATIONS

		APPLICATIONS	NOTES
T6360A,B,C		GENERAL HEATING & COOLING CONTROL OF GAS & OIL BOILERS, CIRCULATING PUMPS, FANS AND ZONE VALVES	<ul style="list-style-type: none"> ★ TERMINAL 3 (CALL FOR HEAT) RATED 10(3)A MAX ★ TERMINAL 4 (COOLING) RATED 6(2)A MAX ★ MINIMUM RATING 20mA FOR BOTH TERMINALS
T4360A		FROST PROTECTION OF EXPOSED PIPEWORK / BOILER	<ul style="list-style-type: none"> ★ SPECIALLY CALIBRATED SCALE : 2 - 23 DEG C ★ INDICATOR MARK AT 5 DEG C ★ TAMPERPROOF COVER
T4360B		SWITCHING OF HIGH CURRENTS 10 - 16 AMPS	<ul style="list-style-type: none"> ★ TERMINAL 3 (CALL FOR HEAT) RATED 16 A ★ SPECIAL SILVER PLATED TERMINALS & CONTACTS
T4360C,D		AIR CONDITIONING	<ul style="list-style-type: none"> ★ T4360C HAS ON/OFF SWITCH - RATED AT 10(3)A MAX ★ T4360D HAS SUMMER/WINTER CHANGE OVER SWITCH - RATED AT 6(2)A MAX
T4360E		NIGHT SETBACK	<ul style="list-style-type: none"> ★ USED IN CONJUNCTION WITH EXTERNAL TIMER ★ PROVIDES APPROXIMATELY 5 DEG C SETBACK

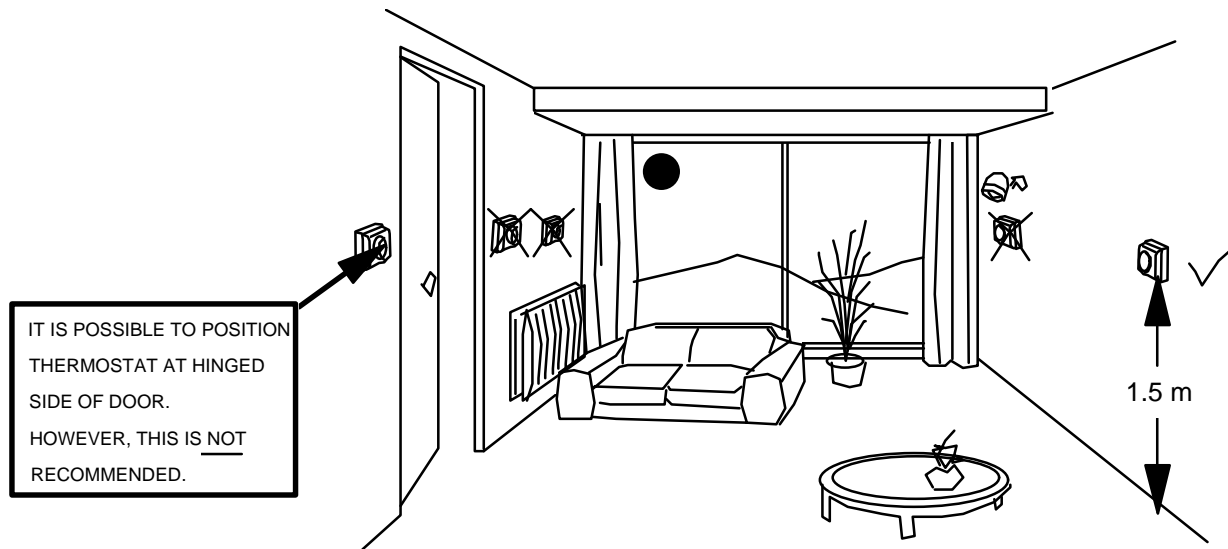
FEATURES FOR THE INSTALLER



FEATURES FOR THE END USER



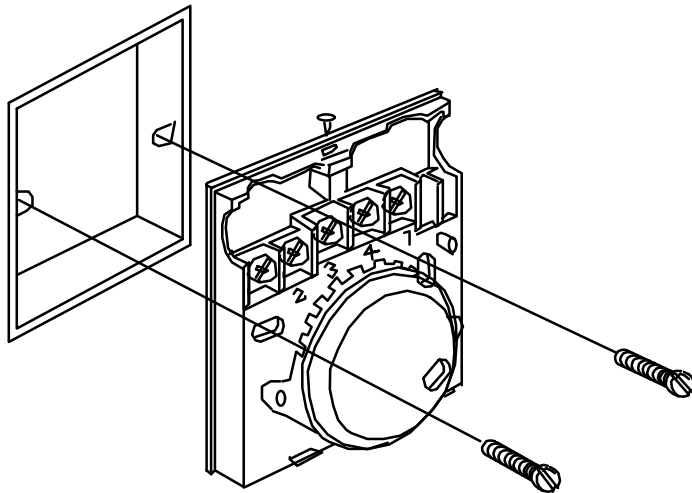
POSITIONING OF THERMOSTAT



- POSITION THERMOSTAT ON INTERNAL (NOT EXTERNAL) WALL
- AT HEIGHT OF APPROXIMATELY 1.5 M
- DO NOT POSITION NEAR SOURCES OF HEAT
 - RADIATORS, HOT AIR VENTS
 - TV OR HI-FI EQUIPMENT
 - LIGHTS OR LAMPS
- DO NOT POSITION NEAR SOURCES OF DRAUGHTS
 - WINDOWS OR DOORS
- DO NOT POSITION WHERE SUSCEPTABLE TO STRONG SUNLIGHT

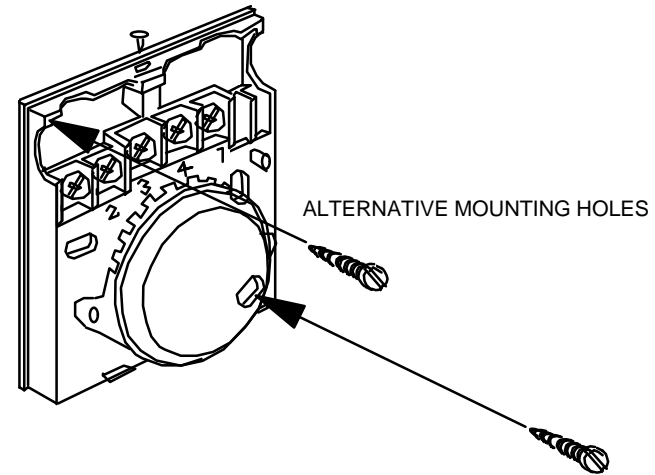
MOUNTING T6360

WALL-BOX MOUNTING



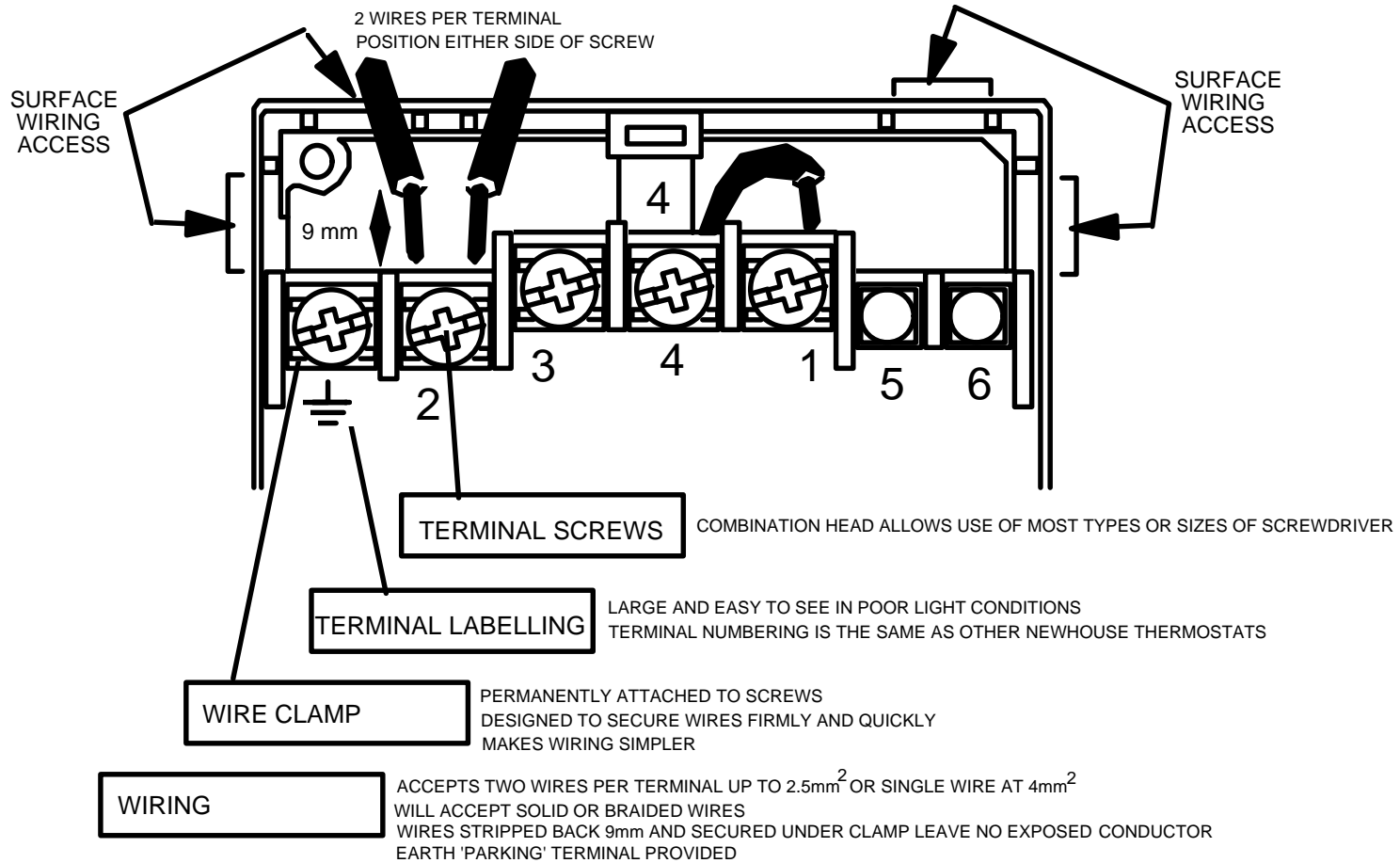
- ★ FIXING HOLES SPACED AT 60mm PITCH
- ★ SUITS B.S. 4662 WALL BOXES
- ★ 2 STANDARD WALL-BOX MOUNTING SCREWS SUPPLIED

SURFACE MOUNTING

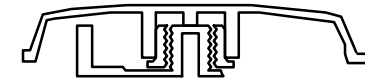
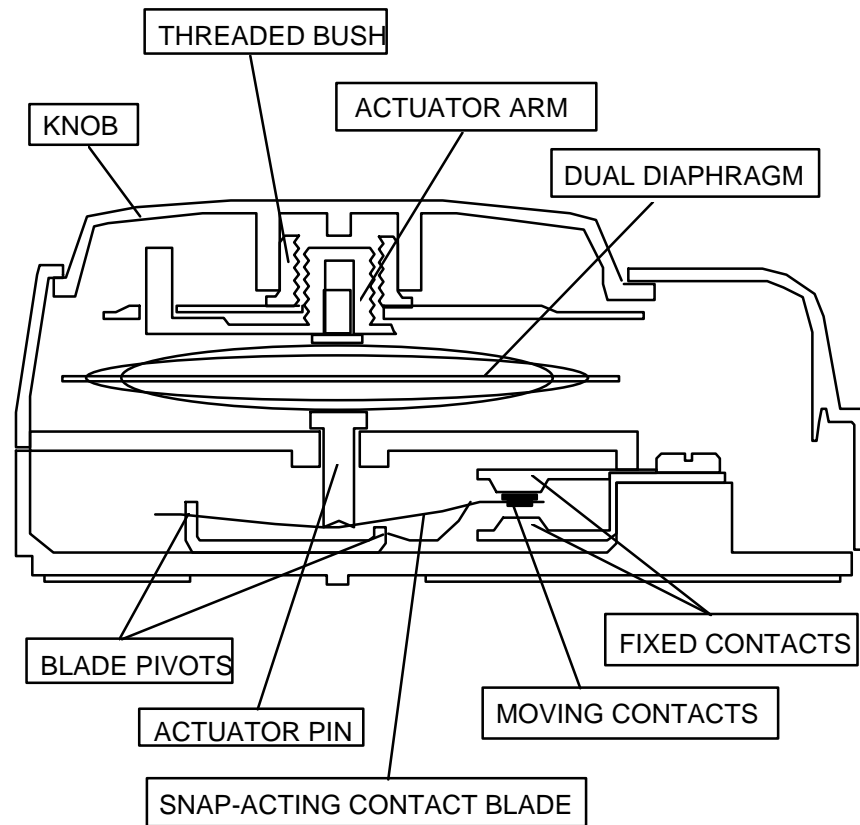


- ★ USE WALL-BOX MOUNTING HOLES IF POSSIBLE
- ★ 2 ALTERNATIVE MOUNTING HOLES ARE PROVIDED (SEE ILLUSTRATION ABOVE)
- ★ 2 WOOD SCREWS ARE SUPPLIED FOR SURFACE MOUNTING

WIRING T6360



HOW T6360 WORKS



- KNOB & ACTUATOR ARM ASSEMBLY**
- ★ ALLOWS SWITCHING SETPOINT TO BE ADJUSTED WITHOUT KNOB MOVING IN OR OUT.
 - ★ THREADING ON BUSH & ACTUATOR ARM TRANSLATE ROTATIONAL MOTION OF THE KNOB INTO INWARDS OR OUTWARDS MOVEMENT OF THE DIAPHRAGM.



- DUAL DIAPHRAGM SENSING ELEMENT**
- ★ VAPOUR FILLED DIAPHRAGM EXPANDS AS TEMPERATURE INCREASES AND CONTRACTS AS TEMPERATURE DECREASES.

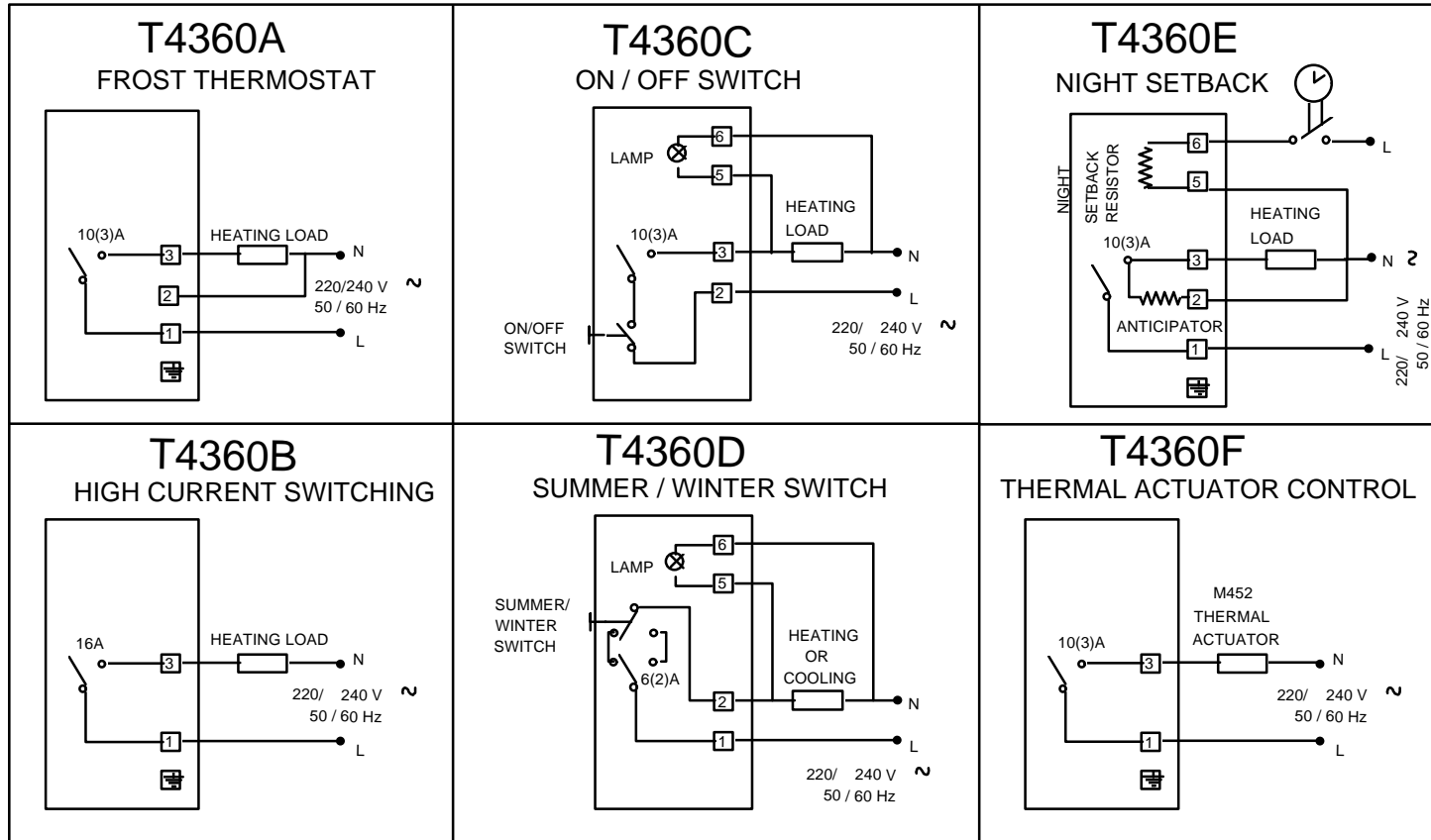


- ACTUATOR PIN**
- ★ LINKAGE BETWEEN DIAPHRAGM & SNAP-ACTING CONTACT BLADE.

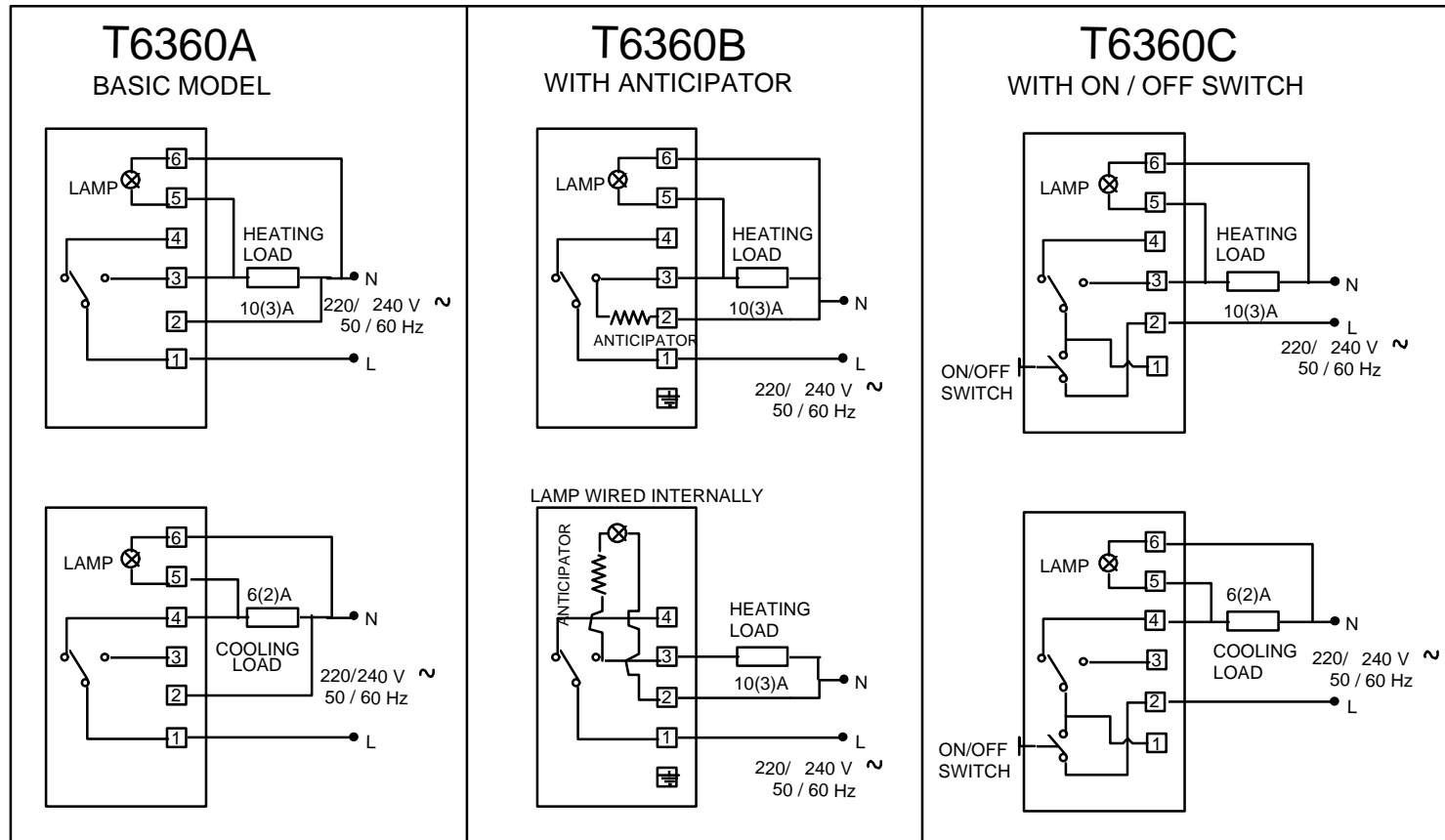


- SNAP-ACTING CONTACT BLADE**
- ★ BLADE IS PIVOTED AT 2 POINTS AND UNDER TENSION SO THAT IT IS STABLE IN ONLY 2 POSITIONS.
 - ★ PRESSURE ON THE ACTUATING POINT OF THE BLADE CAUSES RAPID (SNAP) MOVEMENT BETWEEN THESE 2 POSITIONS.
 - ★ AS THE PRESSURE ON IT DECREASES, THE BLADE WILL SNAP BACK TO ITS ORIGINAL POSITION.

T4360 - WIRING DIAGRAMS

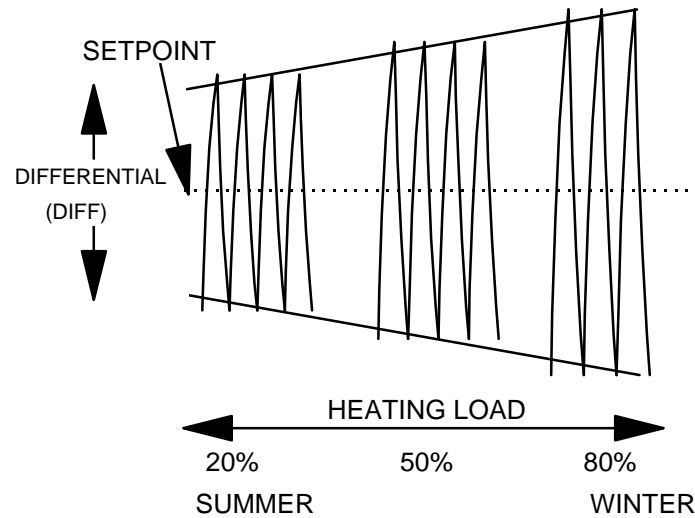


T6360 - WIRING DIAGRAMS



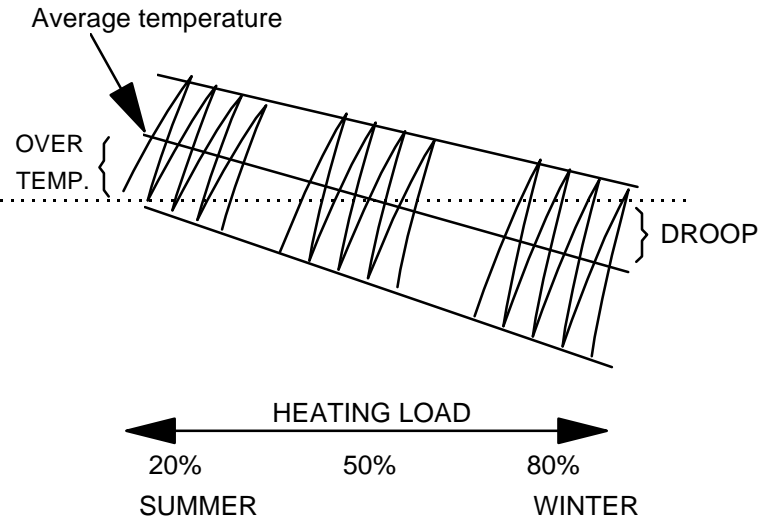
MECHANICAL THERMOSTAT CONTROL

WITHOUT ANTICIPATOR



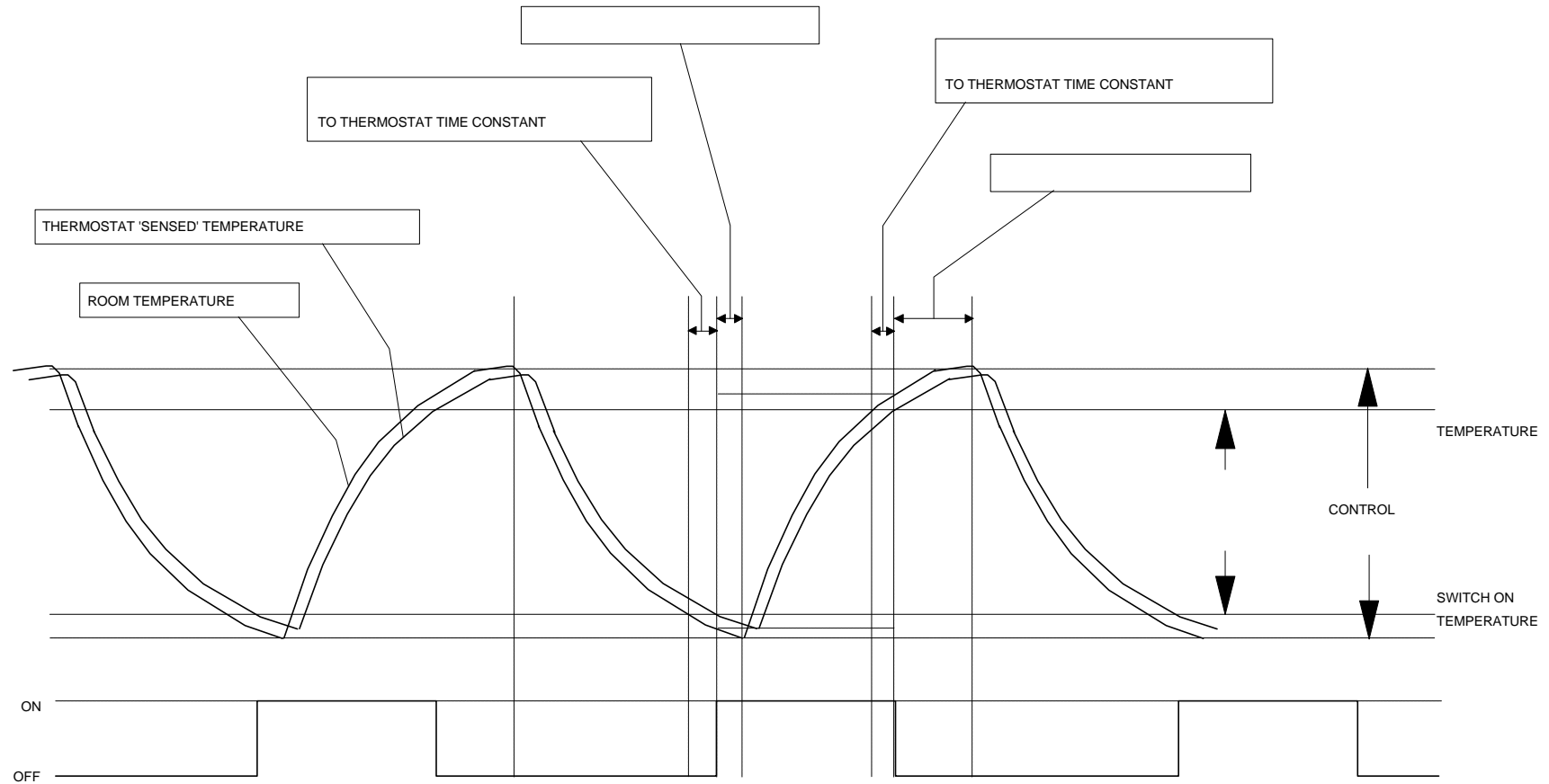
- ★ CONTROL DIFFERENTIAL IS LARGE (+/- 1 C -> +/- 2 C)
- ★ CONTROL DIFFERENTIAL INCREASES AS LOAD INCREASES
- ★ USER WILL FEEL FLUCTUATIONS IN TEMPERATURE

WITH ANTICIPATOR

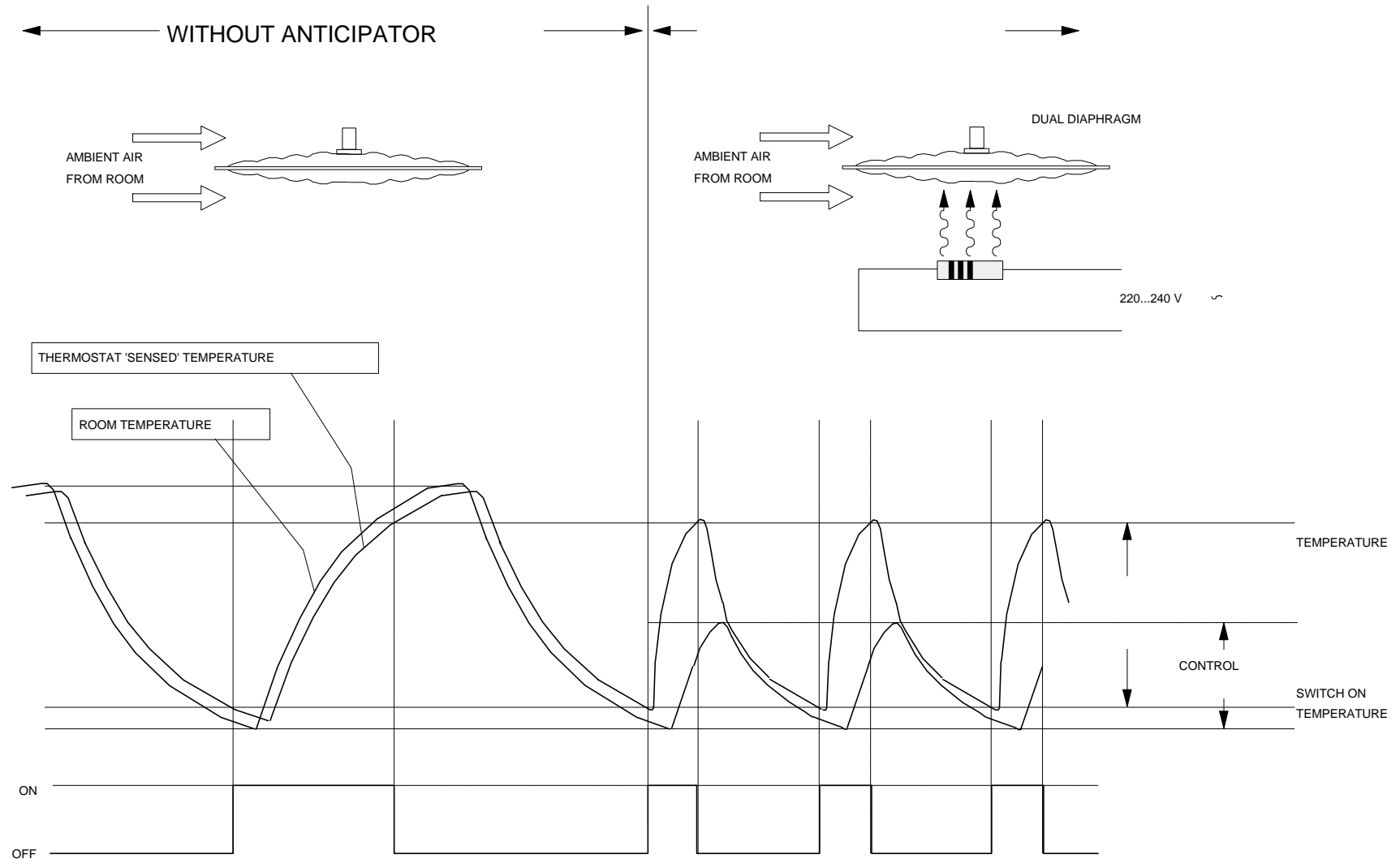


- ★ ANTICIPATOR REDUCES CONTROL DIFFERENTIAL (+/-0.25 C -> +/-0.75 C)
- ★ DIFFERENTIAL ONLY CHANGES SLIGHTLY WITH LOAD
- ★ TEMPERATURE OVERSHOOTS IN SUMMER AND DROOPS IN WINTER
- ★ BETTER COMFORT CONDITIONS ACHIEVED THROUGHOUT THE YEAR

(WITHOUT ANTICIPATOR)



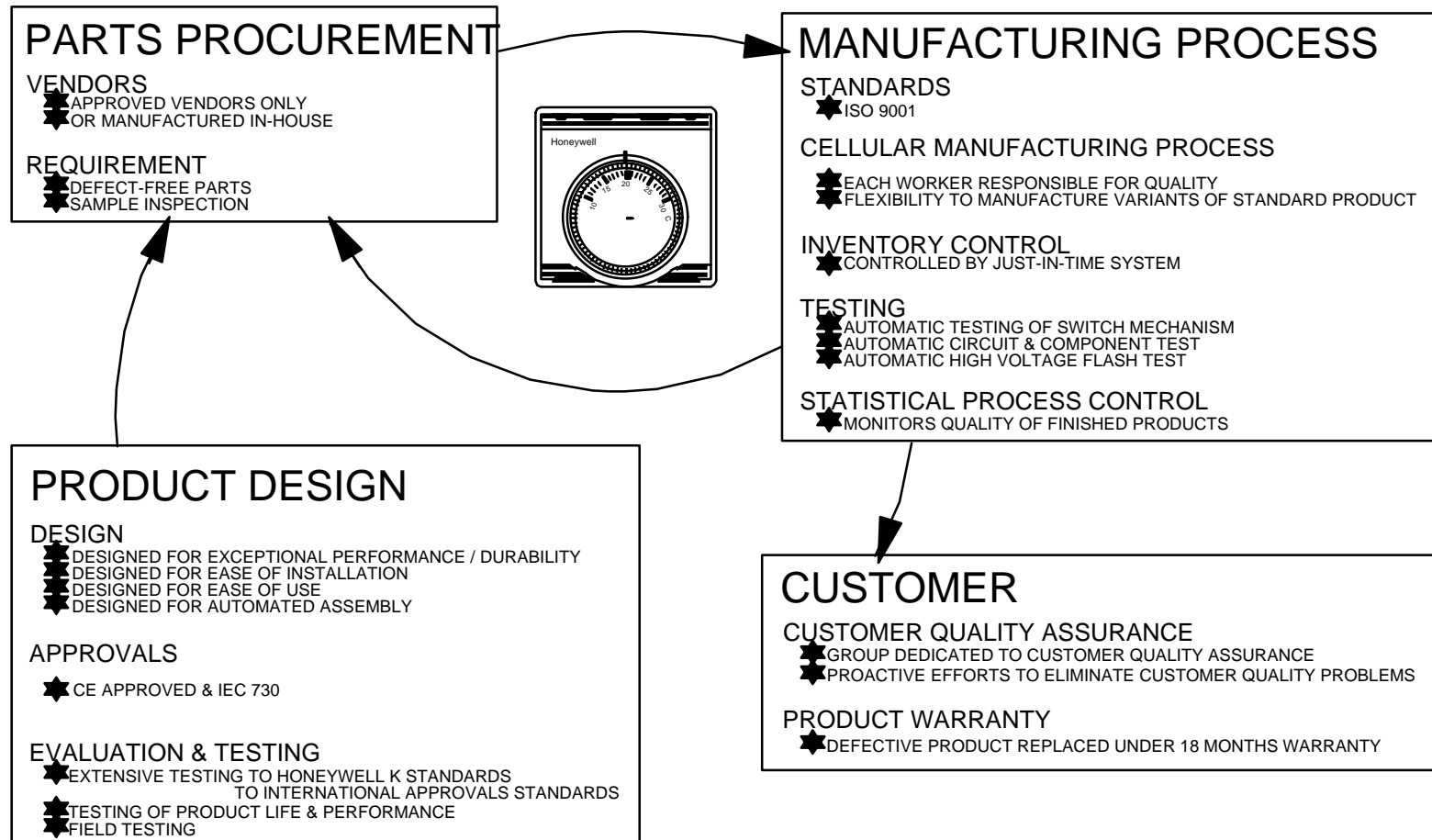
HOW A THERMOSTAT WORKS



T6360 SPECIFICATION

SWITCH TYPE	<ul style="list-style-type: none"> ★ T4360 S.P.S.T. (Heating) ★ T6360 S.P.D.T. (Heating / Cooling)
ELECTRICAL RATINGS	<ul style="list-style-type: none"> ★ T6360A,B { 10(3)A Terminal 3 (Heating) 6(2)A Terminal 4 (Cooling) ★ T6360C 6(2)A Terminals 3 & 4 ★ T4360A,C 10(3)A Terminal 3 (Heating) ★ T4360B 16A Terminal 3 (Heating) ★ T4360D 6(2)A Terminal 2 (Heating/Cooling)
TEMPERATURE SETTING RANGE	<ul style="list-style-type: none"> ★ 10 to 30 Deg C ★ (0 to 20 Deg C - T4360A only)
TERMINALS	<ul style="list-style-type: none"> ★ Terminals sized to accept up to 2 x single or multi-stranded wires from 1.0 mm to 2.5 mm ★ 16 A version will accept one 4.0 mm wire per terminal ★ Lamp terminals suitable for only one wire per terminal up to 2.5 mm maximum
PERFORMANCE	<ul style="list-style-type: none"> ★ Maximum differential 1.0 Deg C at setpoint 20 Deg C at heat ramps of 3 Deg C per hour, with anticipator connected. ★ Typical differential 0.5 Deg C. ★ RFI suppression as standard
SWITCH LIFE	<ul style="list-style-type: none"> ★ Greater than 100,000 operations (all loads) for main switch ★ 10,000 operations for auxiliary on/off or heat/cool switches
ENVIRONMENTAL REQUIREMENTS	<ul style="list-style-type: none"> ★ Operating temperature range : 0 to 40 Deg C ★ Shipping & storage range : -20 to +50 Deg C ★ Humidity range 0 - 90 % R.H. (non condensing)

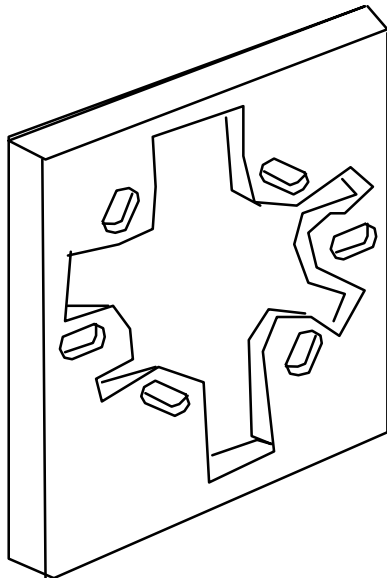
T6360 - QUALITY PRODUCT



T6360 - ACCESSORIES

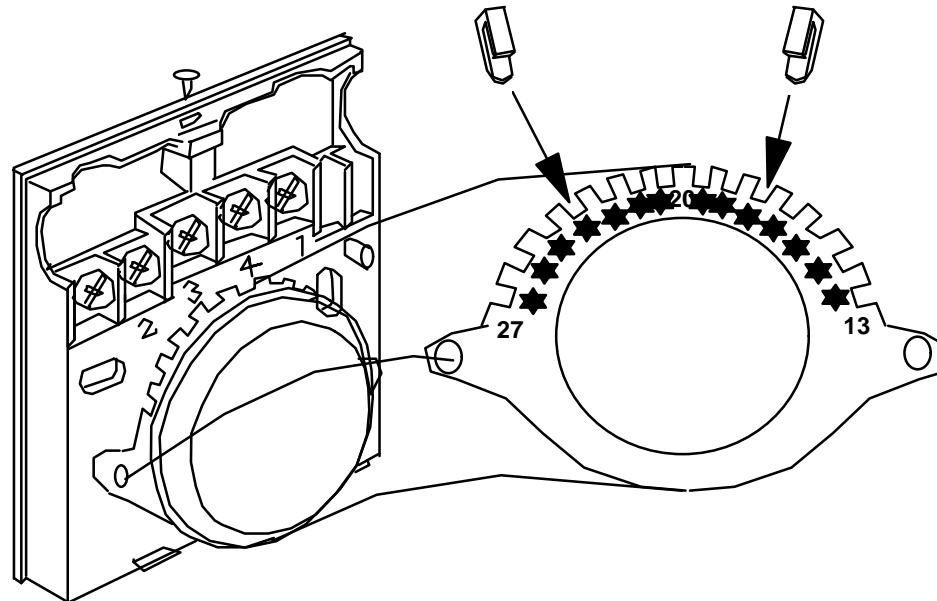
WALL PLATE (F42007789-001)

- ★ WALL PLATE AVAILABLE IN PACKS OF 5
- ★ ALLOWS MOUNTING ON COMMERCIAL OR RESIDENTIAL TYPE WALL-BOXES
- ★ PROVIDES WIRING ACCESS UNDERNEATH THERMOSTAT IN REPLACEMENT INSTALLATIONS

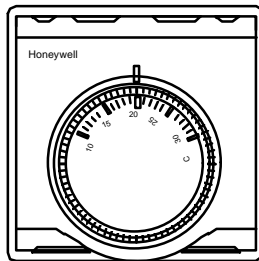


RANGE STOPS (F42006646-001)

- ★ RANGE STOP PEG FITS INTO SLOTS ON BRIDGE PLATE
- ★ ALLOWS SETTING BETWEEN 13 - 27 DEG IN 1 DEG C STEPS
- ★ PEG SLIDES INTO SLOTS AT 13,14,15,16,17,18,19, 21,22,23,24,25,26,27 BUT NOT 20 DEG C
- ★ AVAILABLE IN PACKS OF 20



T6360/T4360 KEY BENEFITS OVER COMPETITION



- * STYLING
- * EASY-TO-USE SETPOINT DIAL
- * EASY-TO-SEE SCALE
- * ACCURATE & RESPONSIVE CONTROL USING DIAPHRAGM SENSOR
- * PRODUCT VARIANTS FOR ALL APPLICATIONS
- * IMPROVED WIRING TERMINALS WITH CABLE CLAMPS
- * IMPROVED WIRING ACCESS WITH SURFACE WIRING BREAKOUTS
- * ADJUSTABLE SETPOINT STOPS